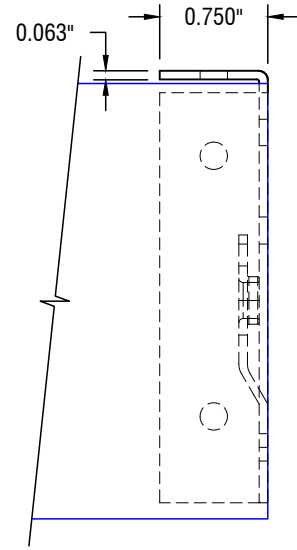
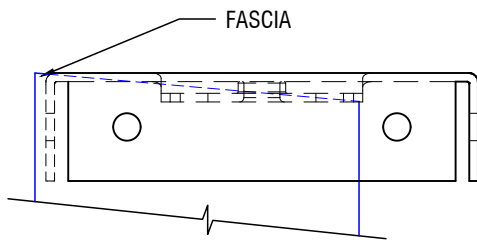


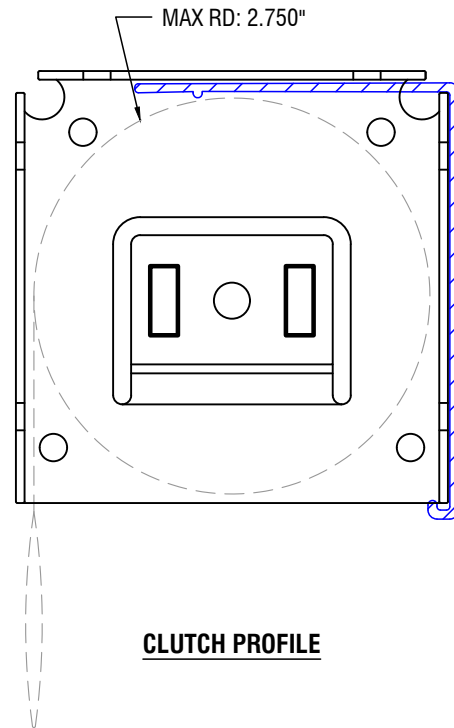
IDLER PROFILE



FRONT PROFILE



TOP PROFILE



CLUTCH PROFILE



12101 MADERA WAY
RIVERSIDE, CA 92503
P: 951-245-5077
F: 951-245-5075
WWW.ROLLASHADE.COM

© COPYRIGHT 2025 ROLL A SHADE®, INC. ALL RIGHTS RESERVED. THIS DRAWING IS THE PROPERTY OF ROLL A SHADE®, INC. THE GRAPHICS INFORMATION AND SPECIFIC IDEAS IN THIS DOCUMENT ARE THE EXCLUSIVE PROPERTY OF ROLL A SHADE®, INC. AND MUST NOT BE MADE PUBLIC, COPIED OR SOLD. OTHERS SEEKING PERMISSION TO REPRODUCE THIS DOCUMENT, IN WHOLE OR IN PART, MUST OBTAIN PERMISSION FROM ROLL A SHADE®, INC. IN WRITING.

DATE: 10/20/2021
SHEET SIZE: 8.5" X 11"
SCALE: 3/4" = 1"
DRAWN BY: SULPISIO MEDRANO

SYSTEM: PLUS+ SHADE
TITLE: 3" SKYLINE W/ TOP FASCIA
NO: RAS-3SL