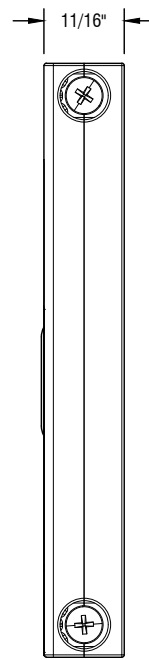
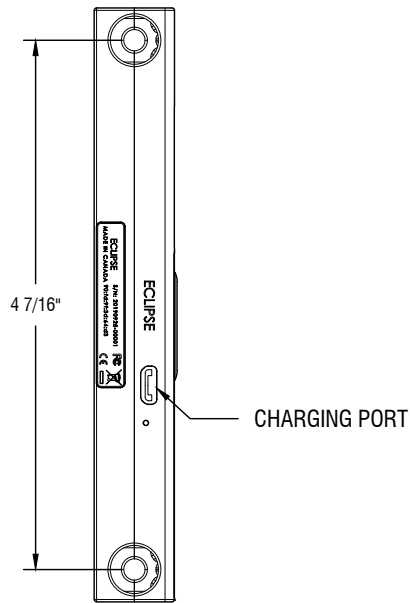


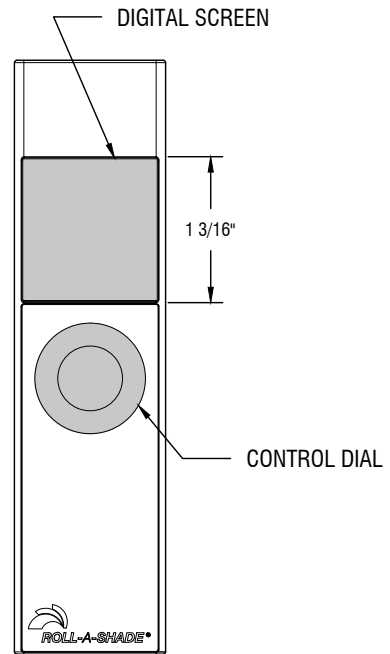
BACK VIEW



RIGHT SIDE VIEW



LEFT SIDE VIEW



FRONT VIEW

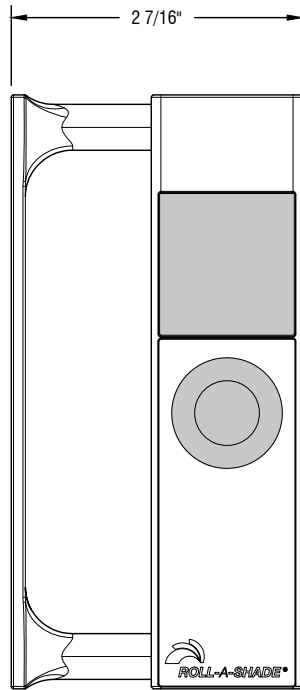


12101 MADERA WAY
RIVERSIDE, CA 92503
P: 951-245-5077
F: 951-245-5075
WWW.ROLLASHADE.COM

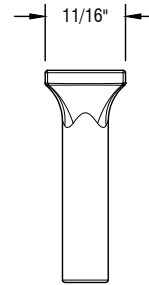
© COPYRIGHT 2025 ROLL A SHADE®, INC. ALL RIGHTS RESERVED. THIS DRAWING IS THE PROPERTY OF ROLL A SHADE®, INC. THE GRAPHICS INFORMATION AND SPECIFIC IDEAS IN THIS DOCUMENT ARE THE EXCLUSIVE PROPERTY OF ROLL A SHADE®, INC. AND MUST NOT BE MADE PUBLIC, COPIED OR SOLD. OTHERS SEEKING PERMISSION TO REPRODUCE THIS DOCUMENT, IN WHOLE OR IN PART, MUST OBTAIN PERMISSION FROM ROLL A SHADE®, INC. IN WRITING.

DATE: 05/12/2020
SHEET SIZE: 8.5" X 11"
SCALE: 5/8" = 1"
DRAWN BY: SÚLPISIO MEDRANO

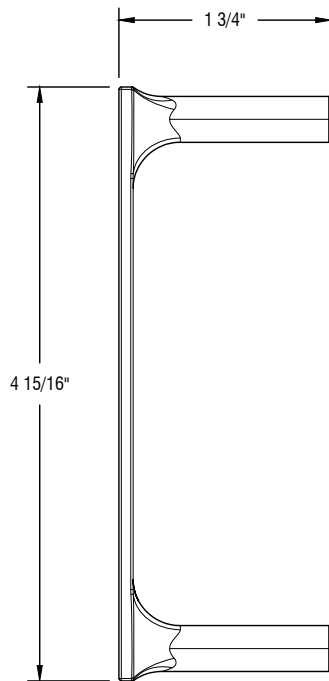
TITLE: ECLIPSE SUN SENSOR
NO.: RAS-ESS



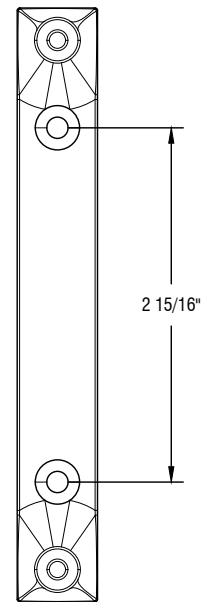
BRACKET & SENSOR ASSEMBLED



TOP VIEW



SIDE VIEW



FRONT VIEW



12101 MADERA WAY
RIVERSIDE, CA 92503
P: 951-245-5077
F: 951-245-5075
WWW.ROLLASHADE.COM

© COPYRIGHT 2025 ROLL A SHADE®, INC. ALL RIGHTS RESERVED. THIS DRAWING IS THE PROPERTY OF ROLL A SHADE®, INC. THE GRAPHICS INFORMATION AND SPECIFIC IDEAS IN THIS DOCUMENT ARE THE EXCLUSIVE PROPERTY OF ROLL A SHADE®, INC. AND MUST NOT BE MADE PUBLIC, COPIED OR SOLD. OTHERS SEEKING PERMISSION TO REPRODUCE THIS DOCUMENT, IN WHOLE OR IN PART, MUST OBTAIN PERMISSION FROM ROLL A SHADE®, INC. IN WRITING.

DATE: 05/12/2020

SHEET SIZE: 8.5" X 11"

SCALE: 5/8" = 1"

DRAWN BY: Sulpisio Medrano

TITLE: ECLIPSE SUN SENSOR MOUNTING BRACKET

NO.: RAS-ESSMB