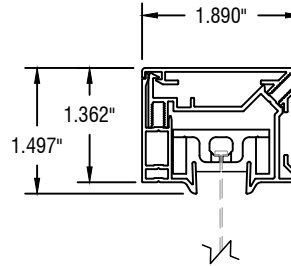
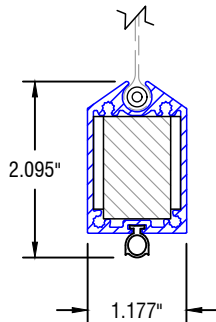


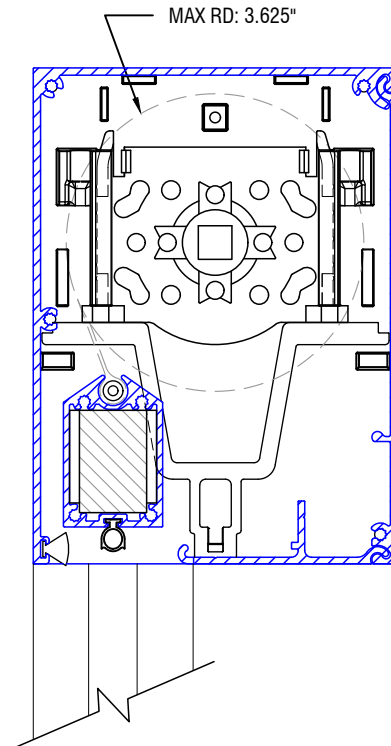
**IDLER PROFILE**



**NARROW SIDE CHANNEL PROFILE**



**BOTTOM RAIL PROFILE**



**MOTOR PROFILE**

**\*MOTORIZED ONLY\***



12101 MADERA WAY  
RIVERSIDE, CA 92503  
P: 951-245-5077  
F: 951-245-5075  
WWW.ROLLASHADE.COM

© COPYRIGHT 2025 ROLL A SHADE®, INC. ALL RIGHTS RESERVED. THIS DRAWING IS THE PROPERTY OF ROLL A SHADE®, INC. THE GRAPHICS INFORMATION AND SPECIFIC IDEAS IN THIS DOCUMENT ARE THE EXCLUSIVE PROPERTY OF ROLL A SHADE®, INC. AND MUST NOT BE MADE PUBLIC, COPIED OR SOLD. OTHERS SEEKING PERMISSION TO REPRODUCE THIS DOCUMENT, IN WHOLE OR IN PART, MUST OBTAIN PERMISSION FROM ROLL A SHADE®, INC. IN WRITING.

DATE: 01/26/2022  
SHEET SIZE: 8.5" X 11"  
SCALE: 7/16"=1"  
DRAWN BY: SULPISIO MEDRANO

SYSTEM: ZIPSHADE  
TITLE: ZIPSHADE 100 SLIM W/  
NARROW SIDE CHANNELS  
NO: RAS-Z100SN