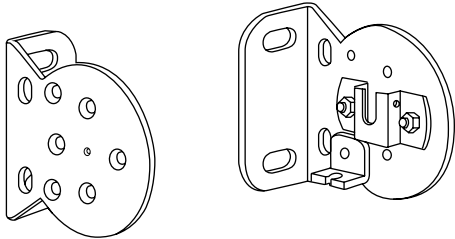
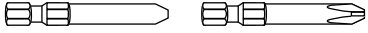
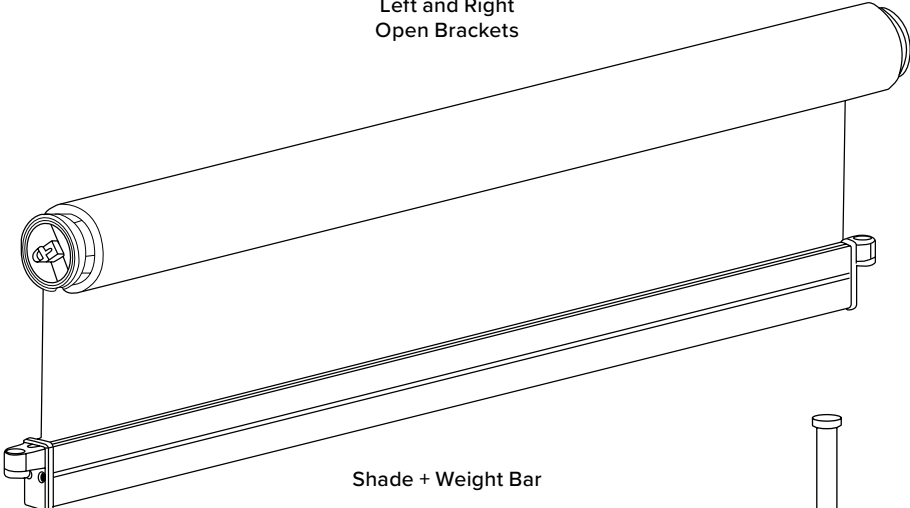

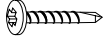

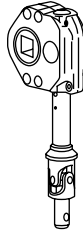

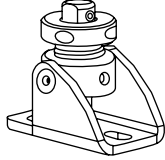



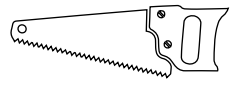
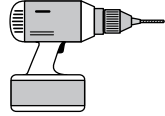
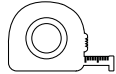
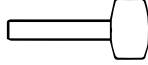
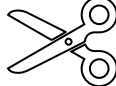



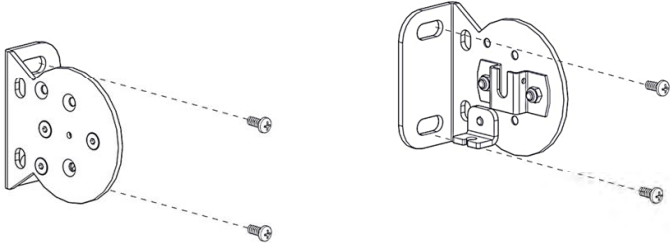
RAS - Installation Instructions Cable Guide Open Roll Manual

Hardware Included	Tools Required
 <p>Left and Right Open Brackets</p>	 <p>Flat Head Phillips Head</p>
 <p>Shade + Weight Bar</p>	 <p>Allen Key Set</p>
 <p>1 1/2" Self Tapping Phillips Screws</p>  <p>R-Clip</p>  <p>Gear Arm</p>  <p>Wire Tension Springs x2</p>  <p>Bottom Wire Guide Swivel Bracket x2</p>  <p>Swaged Dome Terminal + 4.2mm Wire Rope x2</p>	 <p>Pliers</p>
	 <p>Heavy Duty Wire Cutters</p>
	 <p>Saw</p>
	 <p>Drill</p>
	 <p>Measuring tape</p>
	 <p>Mallet</p>
	 <p>Scissors</p>
	 <p>Pencil</p>

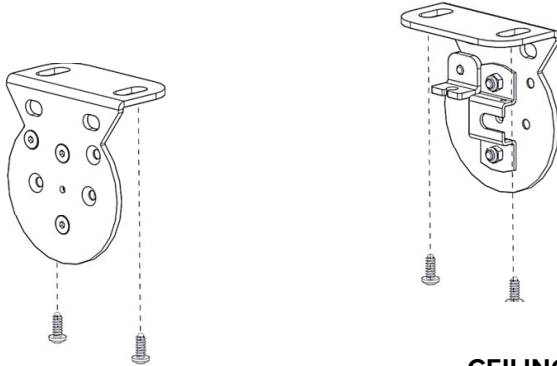
1. Left, Right Open Bracket Installation

Drill holes for wall, ceiling or side installation

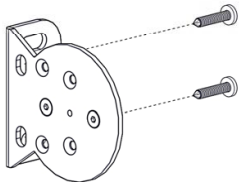
Note: Center fascia bracket may be required for center support for larger spans if needed.



WALL MOUNT



CEILING MOUNT

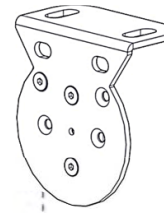


SIDE MOUNT

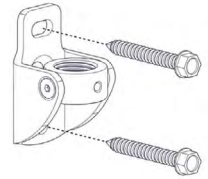
2. Wire Preparation

Mark and secure wire guide fixings. Trim wire to your measurements.

Note: Make sure to give yourself excess wire to cut later for a smoother installation process.



FLOOR FIX



FACE/SIDE FIX

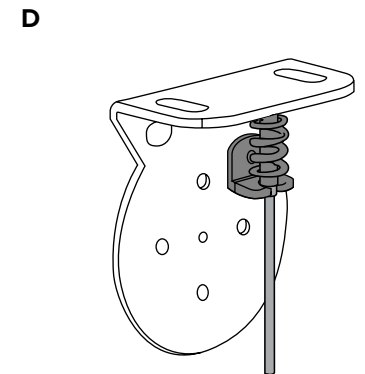
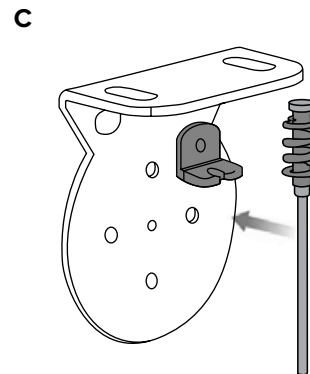
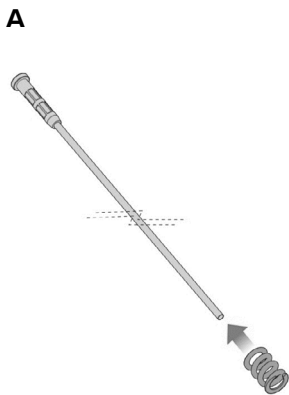


FLOOR FIX
(Optional for securing to masonry)

3. Spring Installation

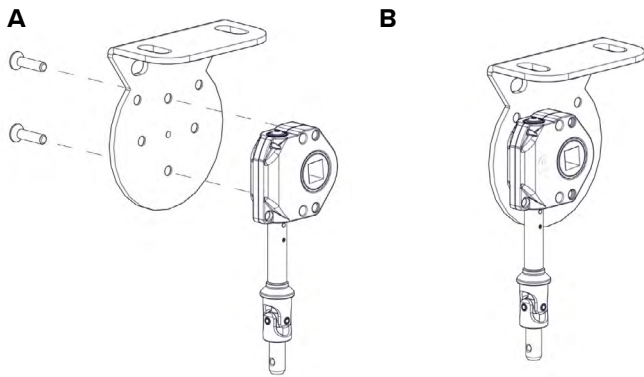
Insert spring into wire and hook terminal.

Note: Use dotted lines to assist in your installation process & make sure box is aligned and level.



4. Gear Installation

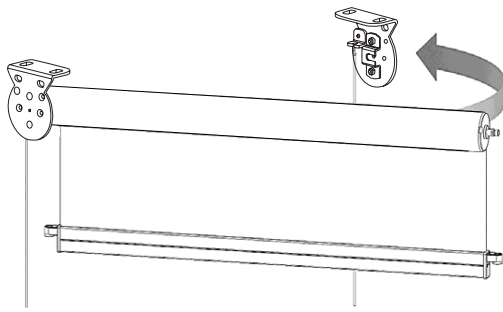
Install gear with pins provided



5. Shade Installation

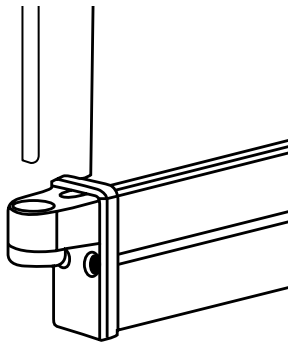
Insert spring into wire and hook terminal.

Note: Insert control end first.



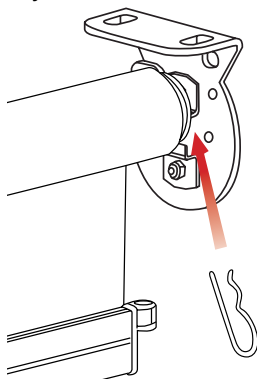
6. Wire Insert

Insert wire through wight bar end cap floats.



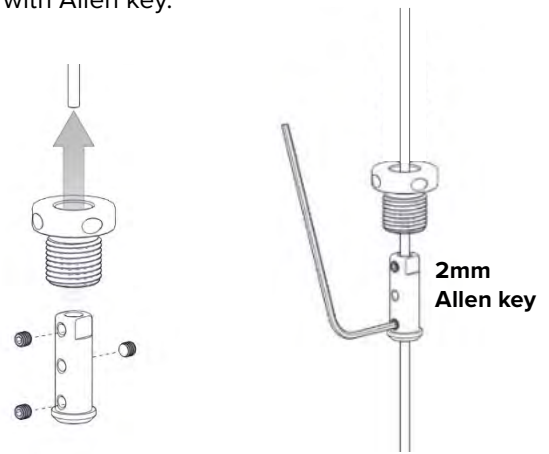
7. R-Clip Installation

Insert R-Clip onto idler adapter. Make sure it is clipped in securely.



8. Tension Guideline Installation

Slide adjusting sleeve then wire terminal onto wire and tighten with Allen key.

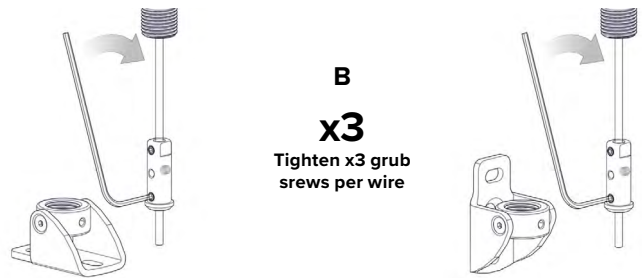


FLOOR FIX

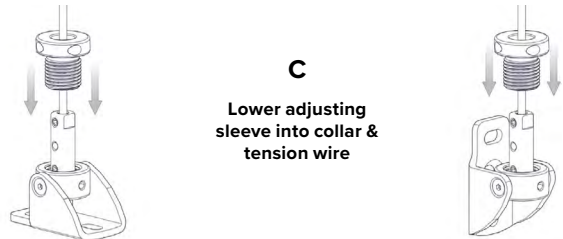
FACE/SIDE FIX



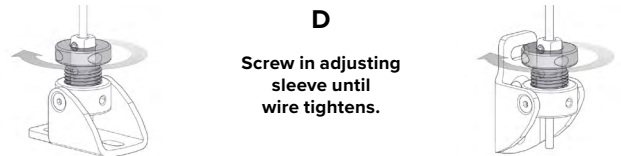
A
Align terminal flange with M4 to grub screw to clamp



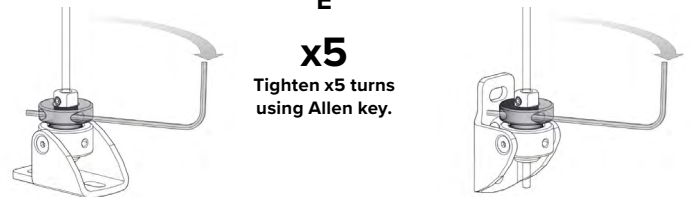
B
x3
Tighten x3 grub screws per wire



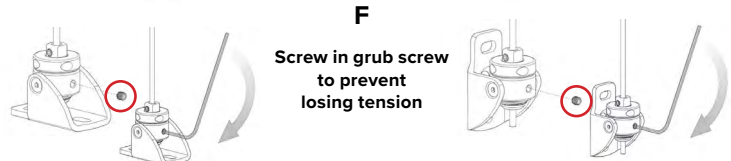
C
Lower adjusting sleeve into collar & tension wire



D
Screw in adjusting sleeve until wire tightens.



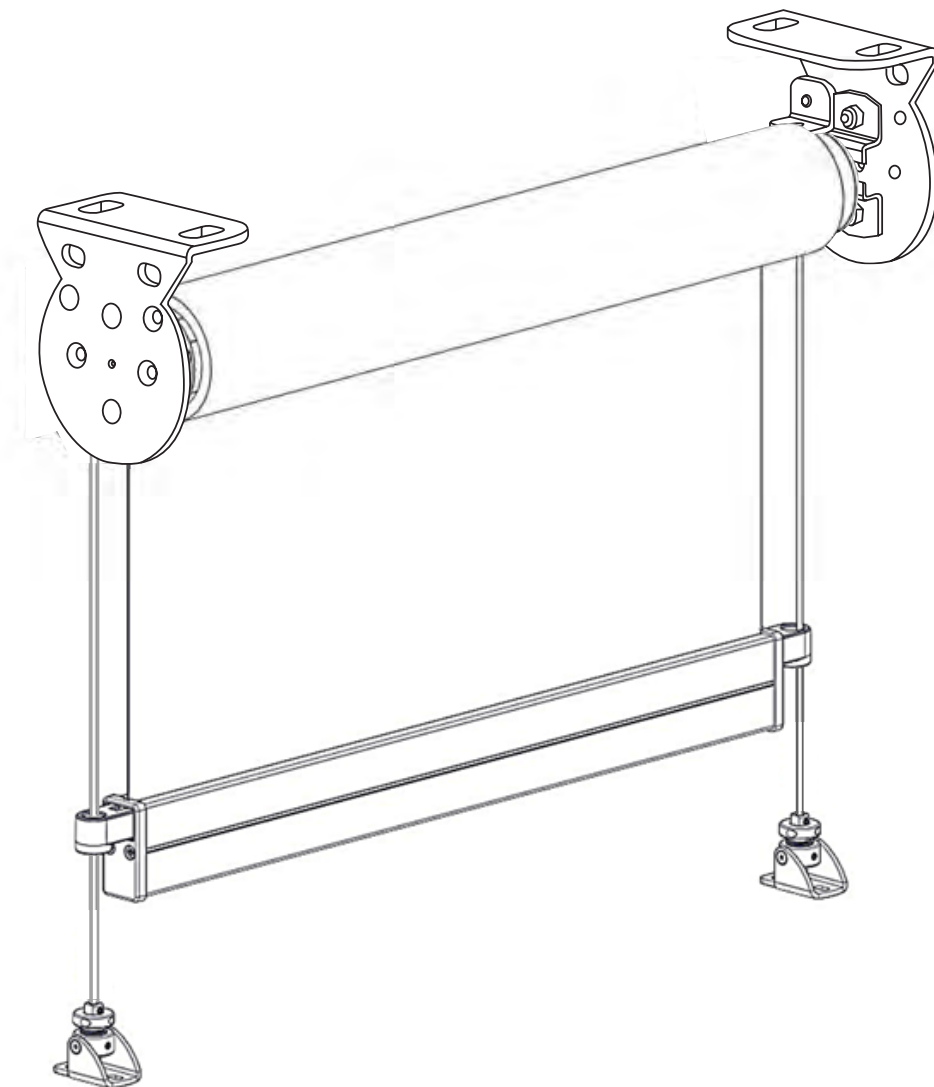
E
x5
Tighten x5 turns using Allen key.



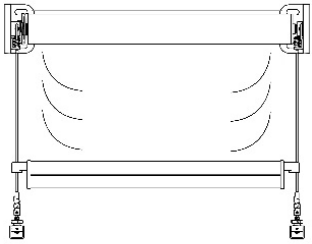
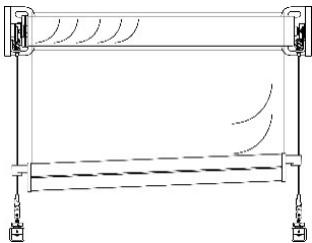
F
Screw in grub screw to prevent losing tension

9. Installation Complete

Below is a visual of the complete product once installed.



TROUBLESHOOTING

NO.	PROBLEM	CAUSE	SOLUTION
1	Ripples along sides of fabric 	Blind rolled up for an extended period of time.	This occurrence is inherent to roller systems and is more prevalent in some fabrics. Leave blind down for 1 – 4 hours; most ripples should disappear.
		Not enough weight in weight bar.	Refer to Product Specs. Add ballast.
		Installation is not square.	Check blind roll is installed level.
		Fabric permanently damaged due to inadequate handling during assembly, transportation, installation or use.	Replace fabric and ensure it is handled with care.
2	Blind does not fully open / jams	Position of wire guides at base is incorrect.	Check if wire guide fixing at floor/base are positioned in line with the Top Terminal. If fixing is too far inwards of the terminal then reposition. Refer to Part C, Step 1 of this document for wire guide positioning details.
		Incorrect motor stop limits used.	Refer to motor instructions to reset stop limits.
3	Uneven weight bar 	Blind roll is not level, thus weight bar appears uneven.	Ensure blind is installed level.
		Blind has been operated in excessive wind conditions.	Check blind roll when the blind is fully raised. If ripples are evident on roll, open blind fully (without the presence of wind) to allow the blind to track down evenly. Raise and lower blind a number of times to check operation.
		Fabric is not installed straight.	Ensure fabric is assembled straight onto tube and weight bar.
4	Locks go out of sync	Locks are not level	Lower blind until fabric is slack then lift one side so that the lock disengages
		Uneven Weight Bar (see above)	
		Obstruction preventing weight bar lowering through lock	Remove obstruction to allow weight bar to reach its lowest point.