
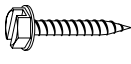

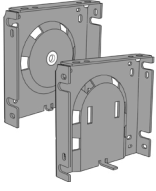
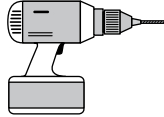

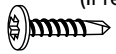




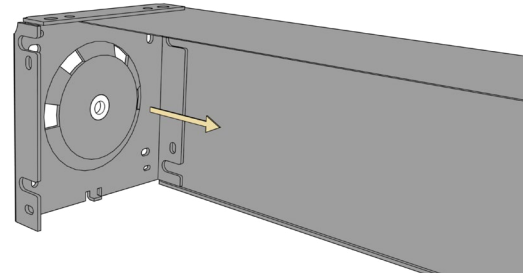


RAS - Installation Instructions Plus+ Shade 4" Bottom Fascia Top Back Plate Manual

Hardware Included				Tools Required	
					
Self Tapping Screws for Aluminum	Wood Screws (If requested)	Drywall Anchors	Brackets	Drill	Phillips Head
					
Self Tapping Phillips Screws for Tension Device		Metal Stop Ball	Bracket Cover (Optional)		
					
			Front Notched Fascia		
					
			Back Fascia		

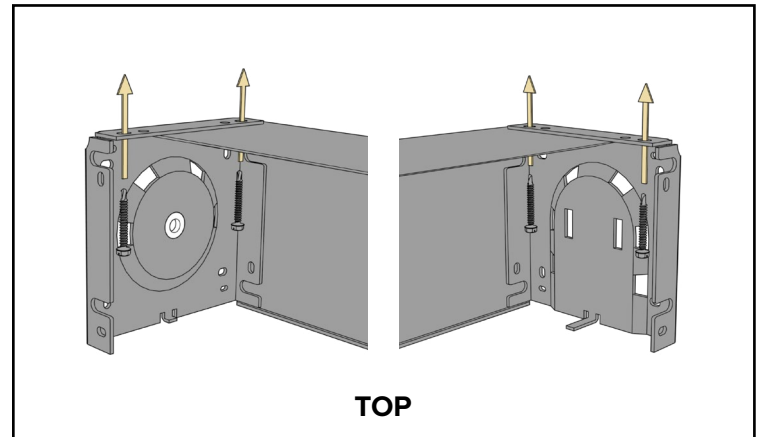
1. Attaching the Back Fascia and Brackets

Slide brackets onto Back Fascia as shown. Bottom of bracket slides into groove at the bottom of the Fascia and top inside top of Bracket to line up with attachment hole.



2. Install Bracket

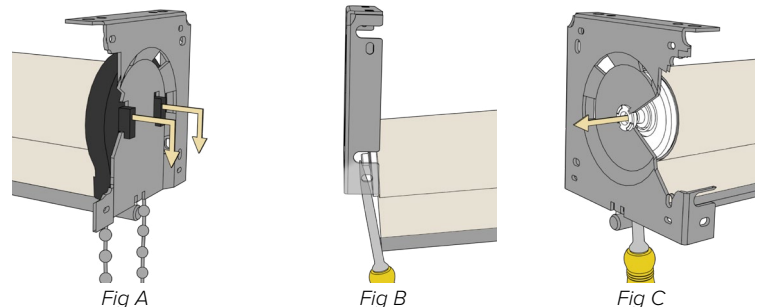
Attach the brackets to the ceiling. With the back plate cassette, this system can only be mounted to the ceiling.



2. Install Shade

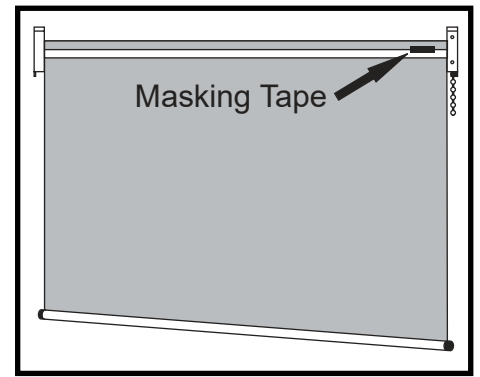
Push the clutch straight into the indents in the bracket. The bottom of the clutch should always point straight down (Fig A). Next, using your finger or a flat end screwdriver, press in the pin end, keeping it compressed (Fig B) while maneuvering it into the hole in the pin end bracket (Fig C).

Note: If you need to remove the shade, compress the pin end by using a flat end screwdriver and pull the shade down and out.



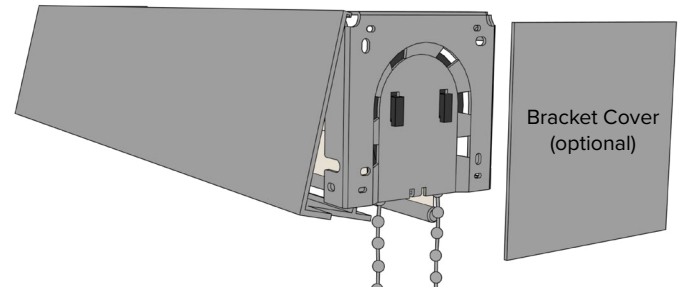
3. Shade Adjustment (If Necessary)

Roll shade up and down to confirm bottom rail is level and material rolls up straight on center tube. If the bottom rail is not level, lower shade until metal tube is visible. Add layers of masking tape to the metal tube to the end that is too low until bottom of rail is straight. If the material tracks to one side, lower shade until metal tube is visible. Add layers of masking tape to the metal tube to the end that is opposite the direction of tracking, until shade rolls up straight.



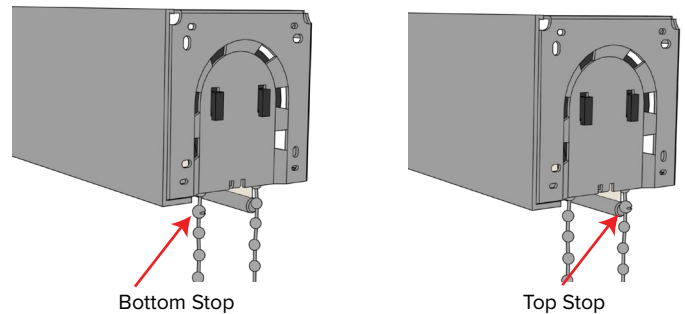
4. Installing the Fascia

Hook fascia to the top of the bracket and gently press fascia down to snap into bracket



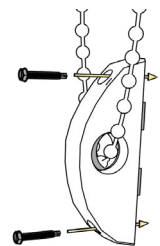
5. Installing Metal Stop Balls to Bead Chain

Pull the rear chain to lower the shade to appropriately 1/4" above sill and attach connector or stop ball to upper most bead on front chain closest to the clutch. By attaching this connector or stop ball you will set how far the shade will lower. Pull the front chain and raise the shade so the bottom rail is 5" below the shade and attach a connector or stop ball on the back chain at upper most bead.

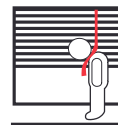


6. Install the Chain Anchor

The chain anchor is a plastic piece that is attached to the chain to secure it from possible accidents. Position the chain anchor on the window frame so that the chain anchor and chain do not interfere with raising or lowering the shade. The chain anchor should be installed without stretching or pulling down on the chain. Leave a little play through the chain anchor to allow the chain to pass freely. Do not twist or cross the bead chain. Secure the anchor with Phillips screws in both upper and lower holes.



Warning: Failure to use this device may cause injury or death



Window Blind Cord Can STRANGLE Your Child

- Children can climb furniture to reach cords
- Move cribs and other furniture away.
- Keep all cords out of children's reach.
- Attach tension device to wall or floor.
- Fasteners provided with the tension device may not be appropriate for all mounting surfaces.
- Use appropriate anchors for the mounting surface conditions.



TENSION DEVICE

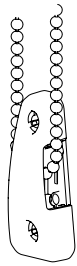
INSTALLATION INSTRUCTIONS

Rollashade.com
info@rollashade.com
951.245.5077

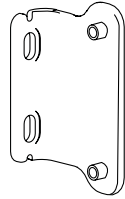
© Copyright Roll-A-Shade® Inc. All Rights Reserved.



HARDWARE INCLUDED



Tension Device + Chain



Tension Device Bracket

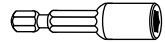


Short Screws

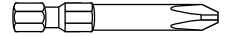


Screws

TOOLS REQUIRED



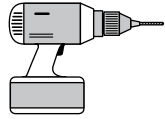
3/8" Hex Head



Phillips Head

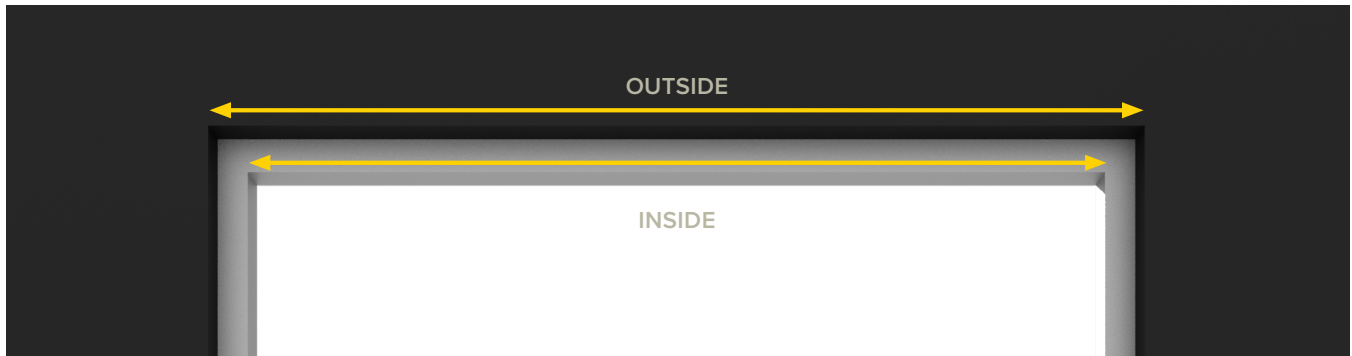


1/8" Drill Bit



Drill

INSIDE OR OUTSIDE APPLICATION



INSIDE



OUTSIDE

INSIDE MOUNT & TENSION DEVICE INSTALLATION

Pull the Chainhold down until the chain is fully tensioned (plunger will be fully raised). Screw device into wall.

A

KEEP
TENSION



B



C

SECURE
TENSION
DEVICE



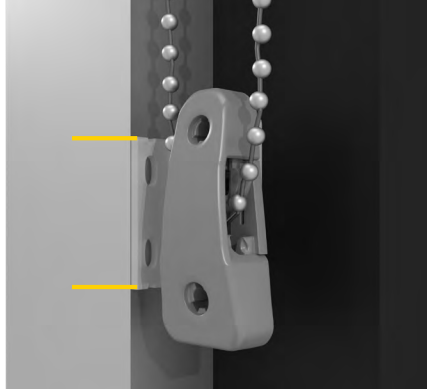
NOTE: Please make sure shade operates smoothly.

OUTSIDE MOUNT & TENSION DEVICE INSTALLATION

With provided screws, install bracket first with large screws (use Chainhold marked screw hole locations as reference). Pull the Chainhold down until the chain is fully tensioned (plunger will be fully raised). Install Chainhold into bracket with small screws.

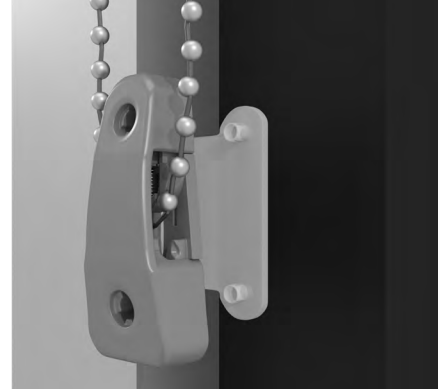
A

PULL CHAIN
DOWN &
MARK
LOCATION

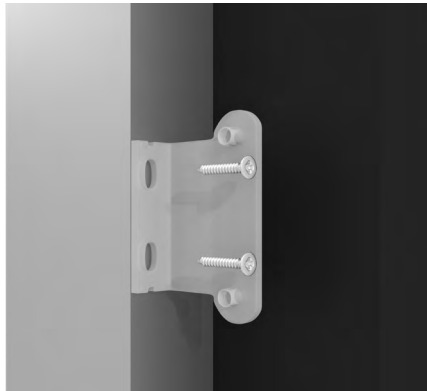


B

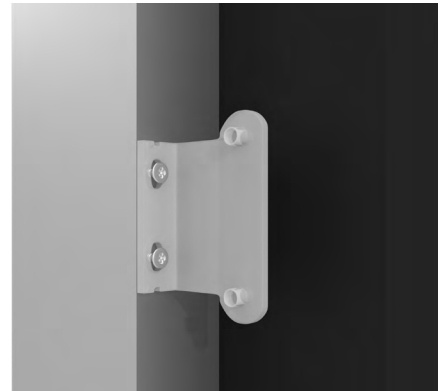
REMOVE
TENSION
DEVICE
& DRILL



C



D



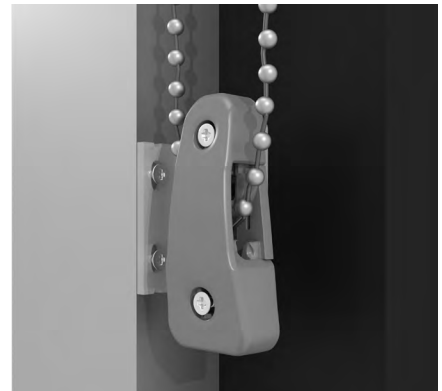
E

PLACE
TENSION
DEVICE ON
BRACKET



F

SECURE
TENSION
DEVICE



NOTE: Please make sure shade operates smoothly.