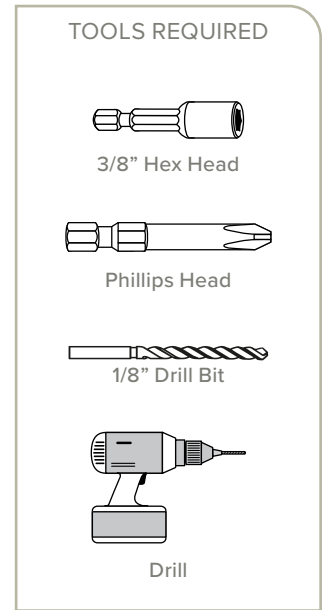
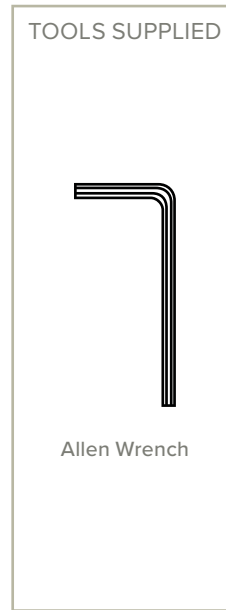
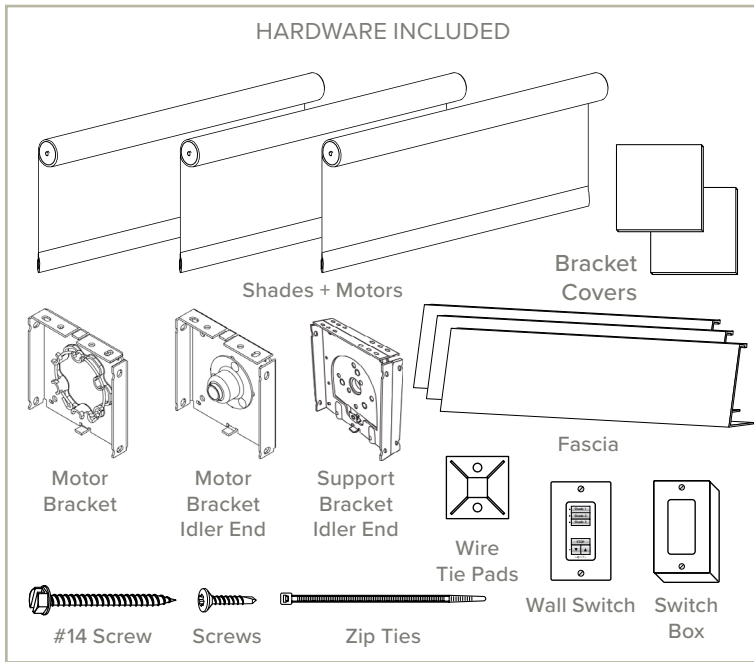


## CONTRACT PLUS<sup>+</sup> 4" BOTTOM FASCIA COUPLED INSTALLATION INSTRUCTIONS

Rollashade.com  
info@rollashade.com  
951.245.5077

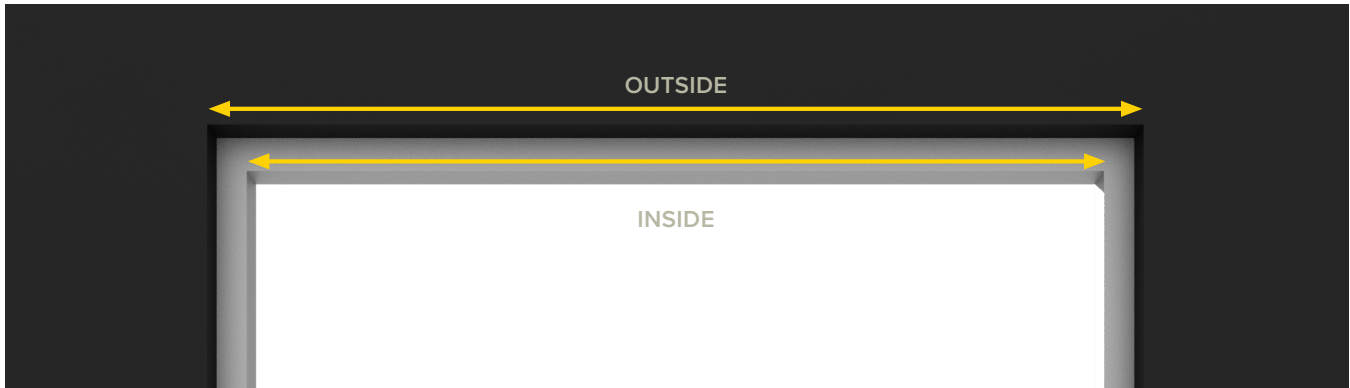
© Copyright Roll A Shade® Inc. All Rights Reserved.

© ROLL A SHADE



**1 INSIDE OR OUTSIDE APPLICATION**

**\*\*NOTE: ALL SHADES MAY BE PRE-PROGRAMMED TO SENSORS, REMOTES, AND/OR WALL SWITCHES UPON ARRIVAL\*\***



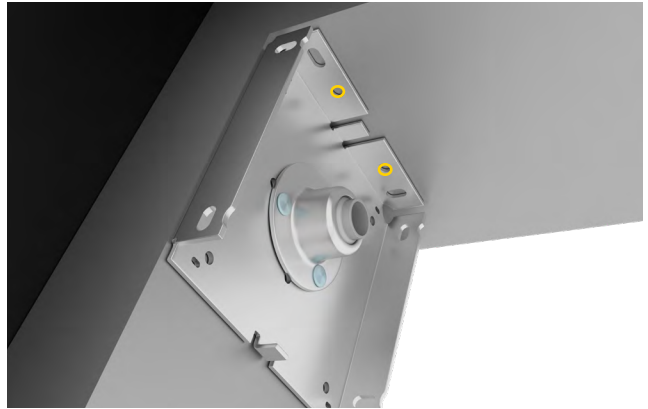
## 2 MOUNTING LOCATION

Place your first bracket in its mounting location and mark the screw holes. Place your brackets in its mounting location and repeat the process.

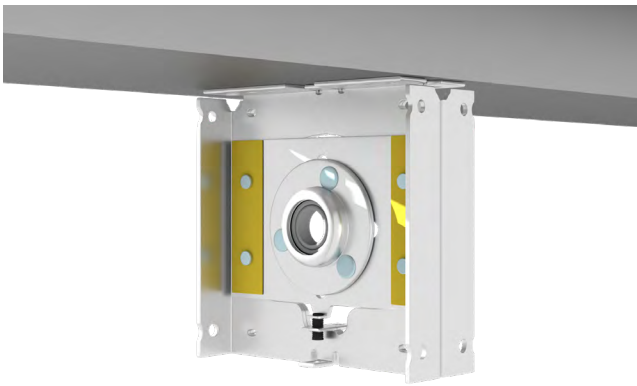
**A IDLE BRACKET**



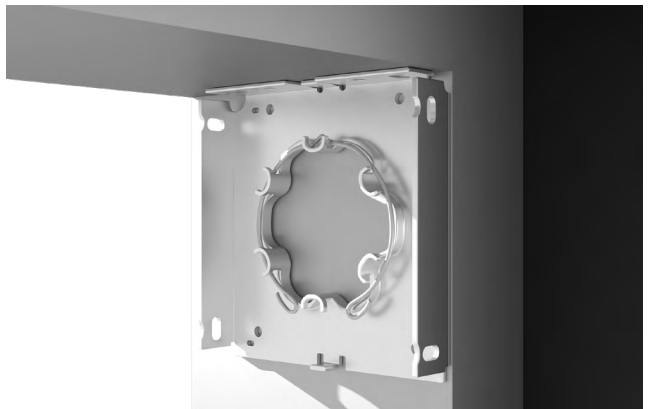
**B IDLE BRACKET**



**C SUPPORT BRACKET**



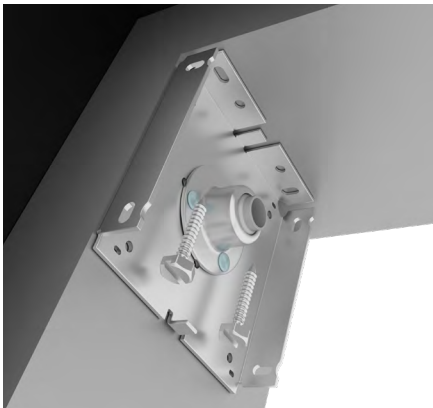
**D MOTOR BRACKET**



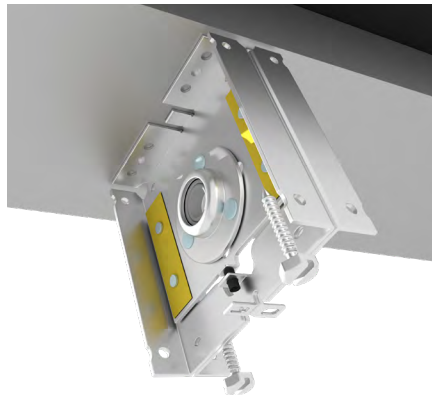
## 3 SCREW INSTALLATION

Next, pre-drill your screw holes using a 1/8" drill bit. Install the brackets with the provided screws using the 1/4" hex head driver.

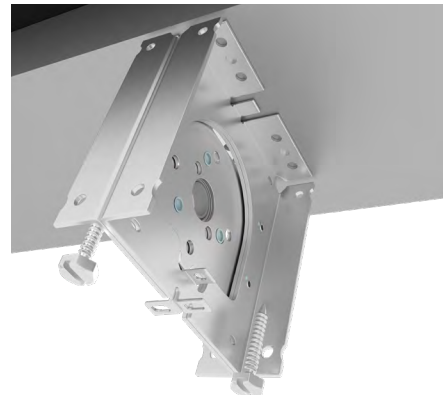
**A IDLE BRACKET**



**B SUPPORT BRACKET**

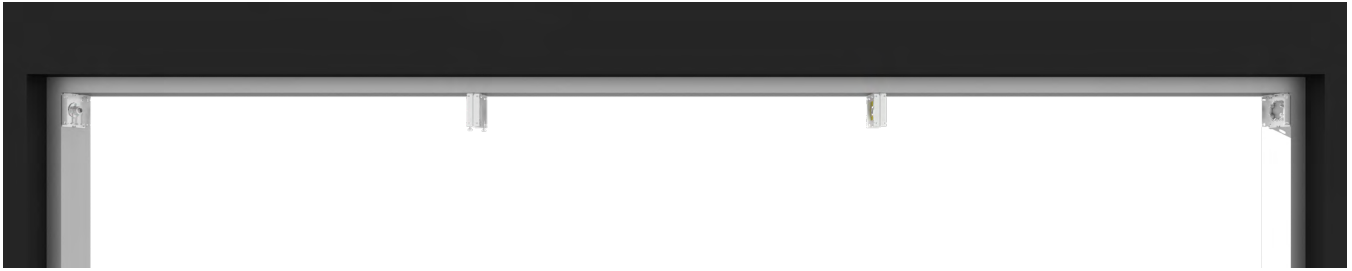


**C SUPPORT BRACKET**



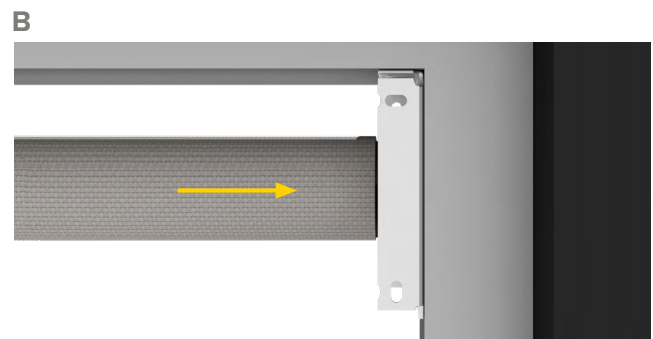
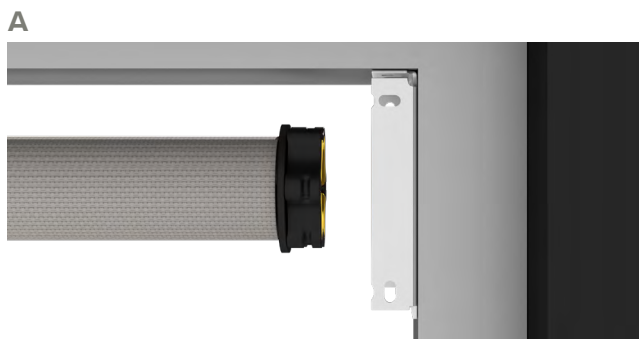
#### 4 ALIGNMENT

Check to make sure your brackets are level and aligned.



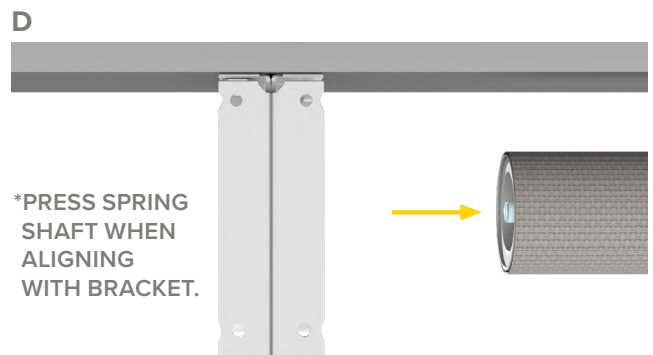
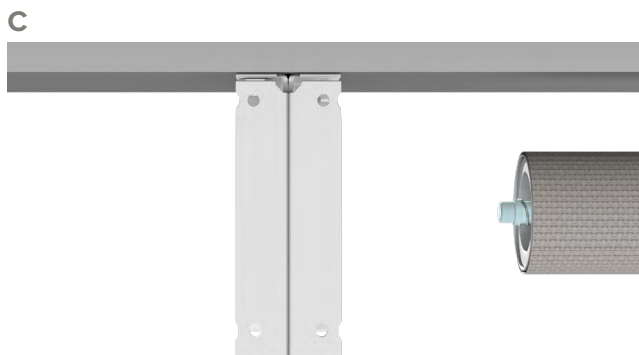
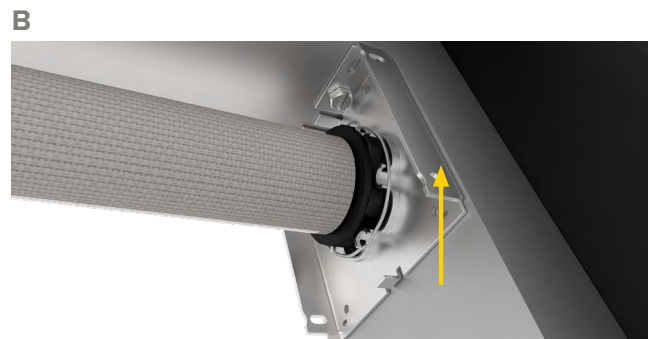
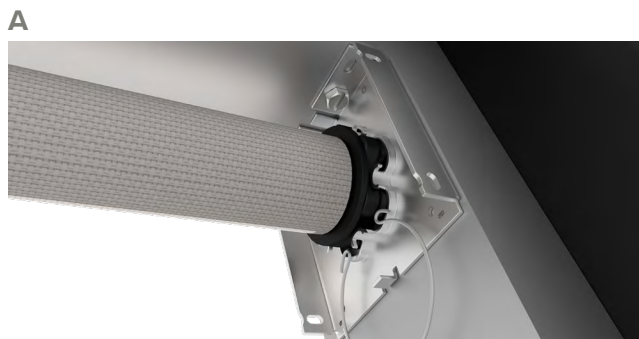
#### 5 MOTOR END INSTALLATION

Remove locking ring. Lineup to motor bracket. Push motor into Lock Ring properly.



#### 6 LOCK RING & ADDITIONAL LINKED SHADES INSTALLATION

Add locking ring to motor bracket. Check motor is secured correctly.



E

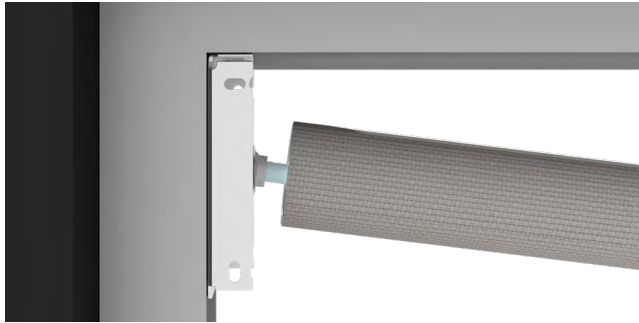


RELEASE SPRING TO INSTALL.

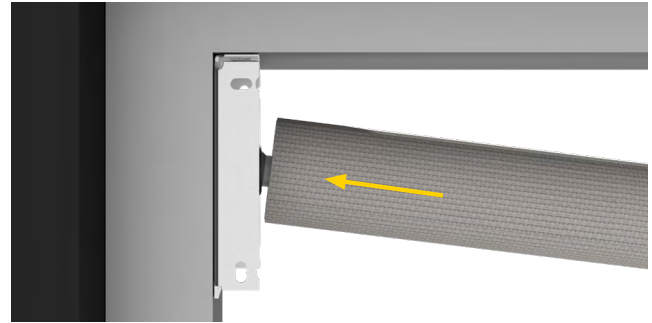
### 7 SHADE PIN END & FASCIA INSTALLATION

Swivel ball bearing to align with Idler shaft for easy installation. Press Idler shaft all the way to the Bracket. Install bottom fascia

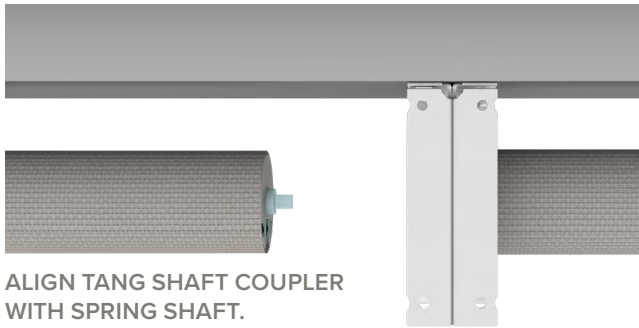
A



B

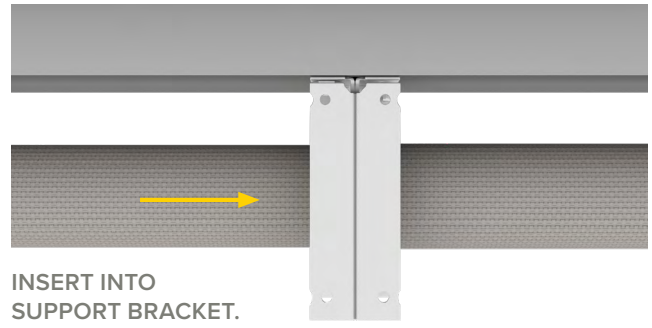


C



ALIGN TANG SHAFT COUPLER WITH SPRING SHAFT.

D

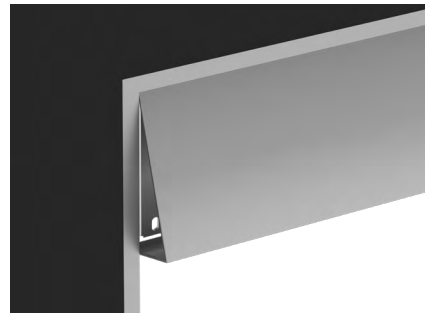


INSERT INTO SUPPORT BRACKET.

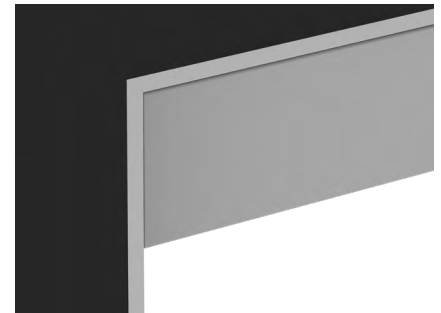
E x3



F x3



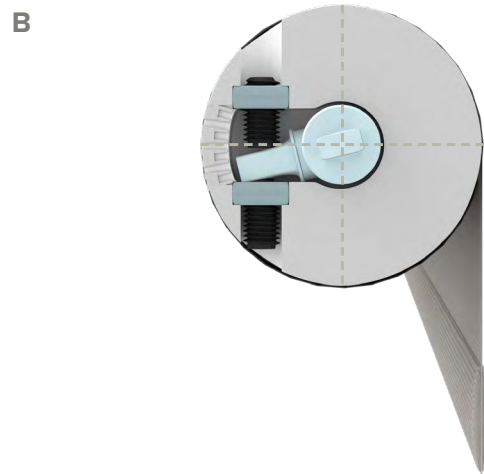
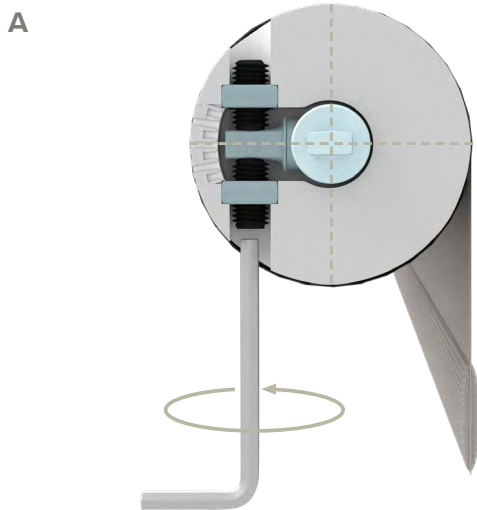
G x3



## 8 ADJUSTING COUPLER

**NOTE:**

No need to disconnect shades to adjust uneven bottom bar. Adjust Screws to level bottom bar.  $\pm 1/4''$  Adjustment (total  $1/2''$ ).



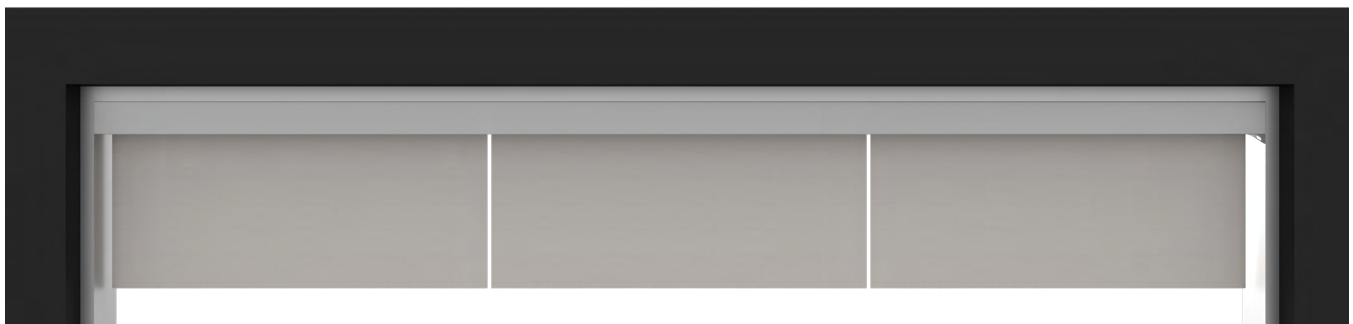
## 9 PLUG IN MOTOR

- Run motor power cord to nearest power outlet.
- Install wire tie pads and secure with zip ties to hold wire down.
- The path of the wire should be parallel with mullions and/or drop ceiling tiles ensuring the cable is neatly organized.
- Any modifications to the power cable should be done by a certified electrician to meet your city/state code requirements.



## 10 SHADE ADJUSTING (IF NECESSARY)

- Roll shade up and down to confirm hembar is level and material rolls up straight on center tube.
- If the hembar is not level, lower shade until you see the metal tube.
- Add layers of masking tape to the metal tube to the end that is too low until hembar is straight.
- If the material tracks to one side, lower shade until you see the metal tube.
- Add layers of masking tape to the metal tube to the end that is opposite the direction of tracking, until shade rolls up straight.



## 11 ADJUSTING LIMITS (IF NECESSARY)

See programming instructions based on the motor used for your application.