

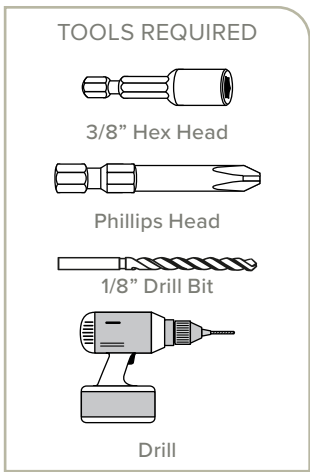
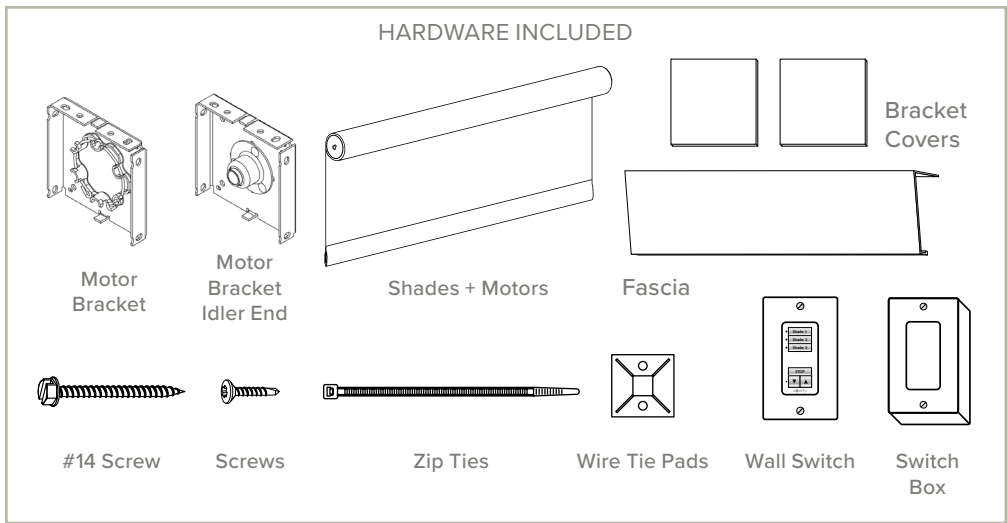
CONTRACT PLUS⁺ 4" TOP FASCIA

INSTALLATION INSTRUCTIONS

Rollashade.com
info@rollashade.com
951.245.5077

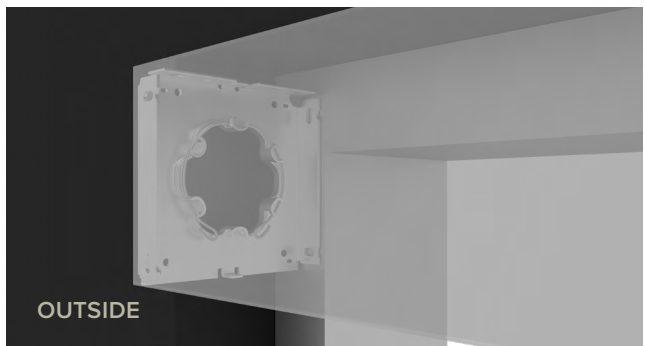
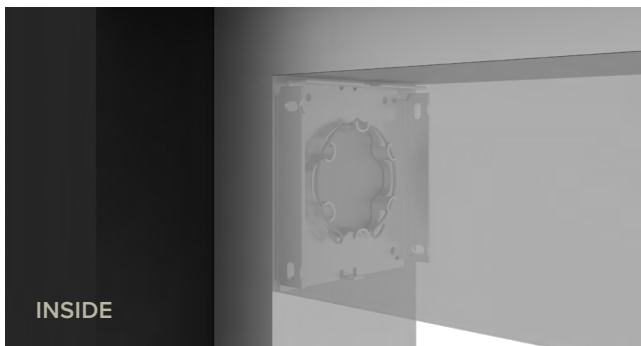
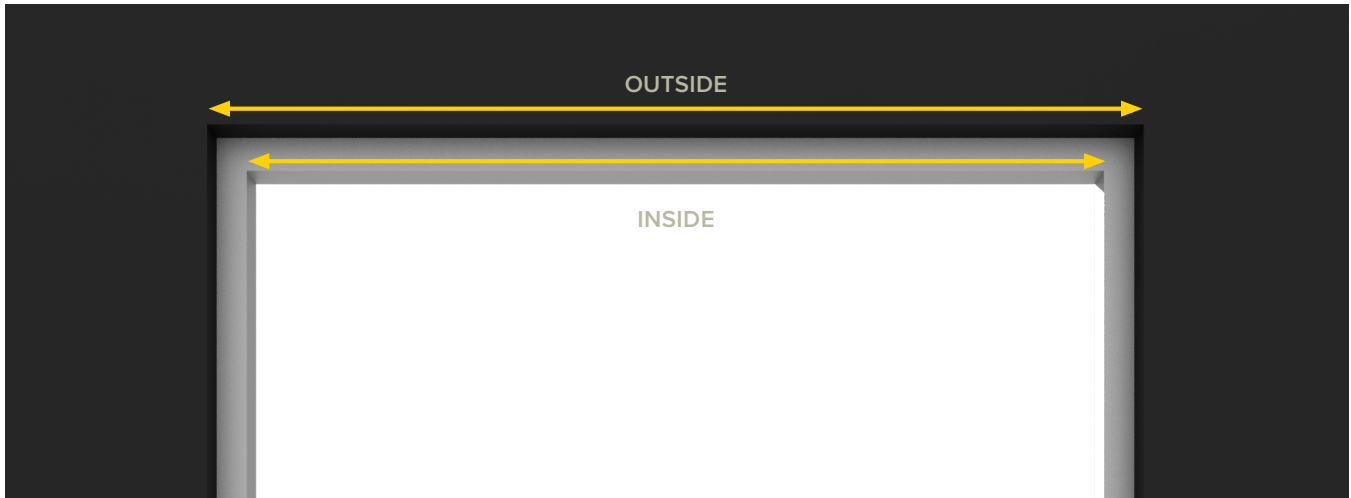
© Copyright Roll-A-Shade® Inc. All Rights Reserved.





1 INSIDE OR OUTSIDE APPLICATION

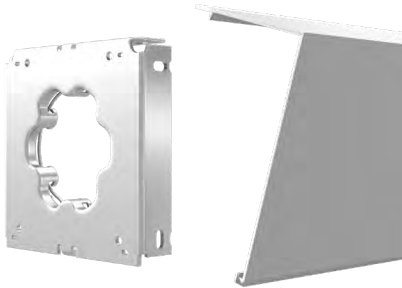
****NOTE: ALL SHADES MAY BE PRE-PROGRAMMED TO SENSORS, REMOTES, AND/OR WALL SWITCHES UPON ARRIVAL****



2 INSTALL FASCIA INTO BRACKETS

Put fascia in place for both motor and idle end brackets.

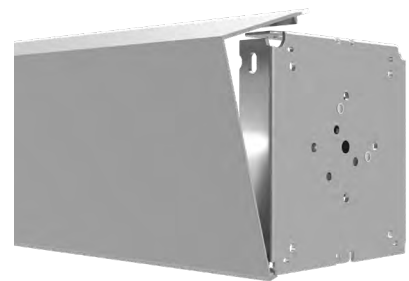
A



B



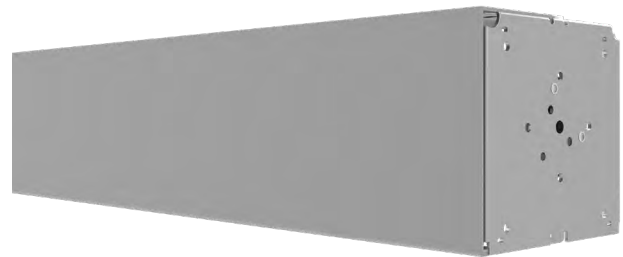
C



D



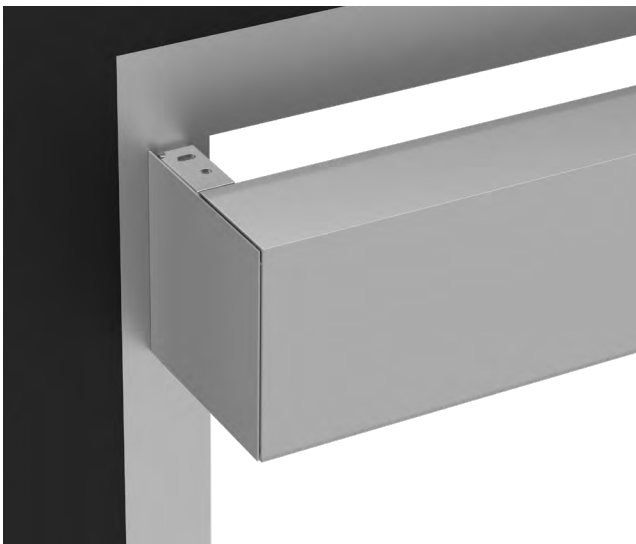
E



3 MOUNTING LOCATION

Place your brackets and fascia, (bracket covers optional), in its mounting location for inside or outside mount.

A OUTSIDE MOUNT



B INSIDE MOUNT



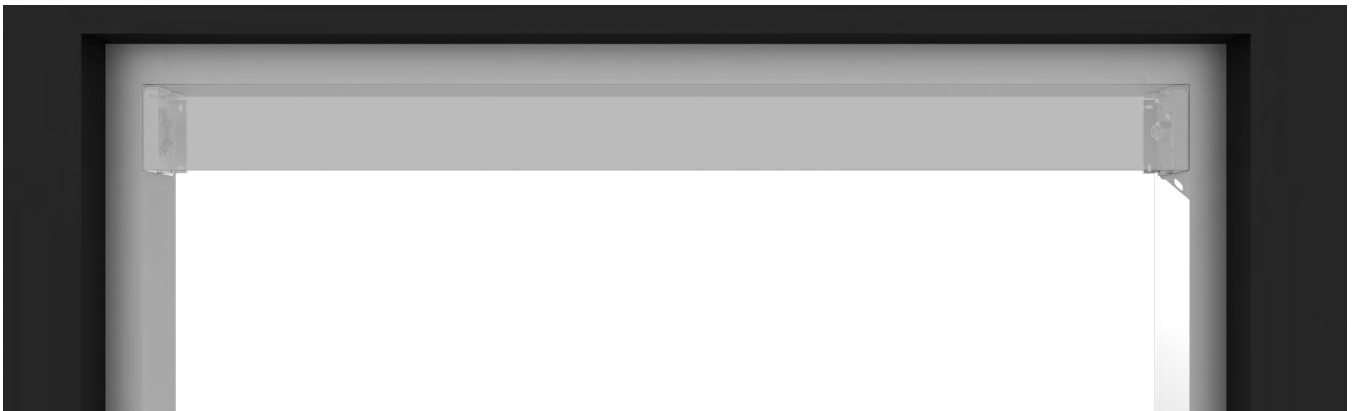
4 SCREW INSTALLATION

Mark your screw holes. Next, pre-drill your screw holes using a 1/8" drill bit. Install the brackets & fascia with the provided screws using the 1/4" hex head driver.



5 ALIGNMENT

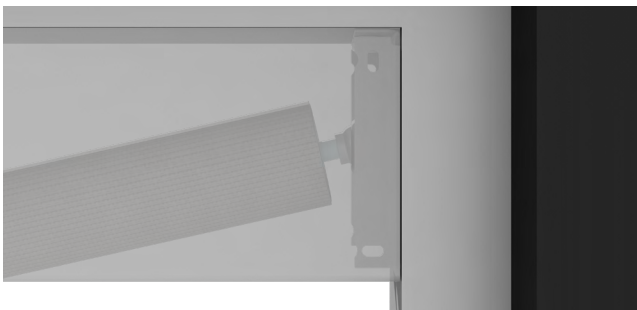
Check to make sure your brackets are level and aligned.



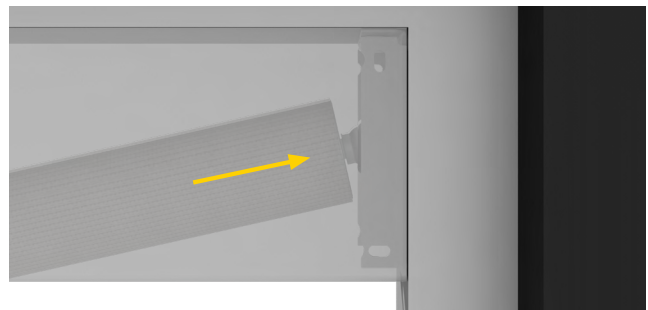
6 SHADE PIN END INSTALLATION

Swivel ball bearing to align with idler shaft for easy installation. Press idler shaft all the way to the bracket.

A



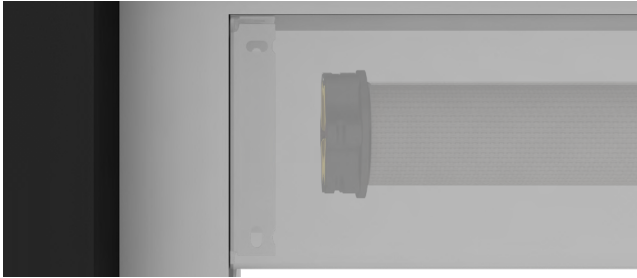
B



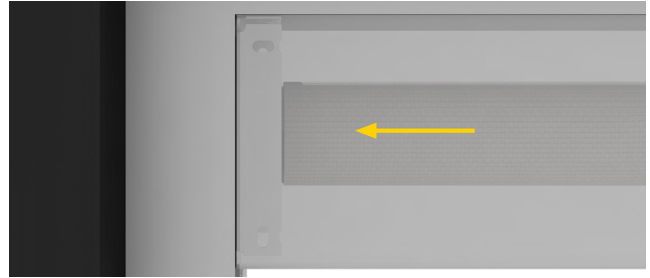
7 MOTOR END INSTALLATION

Remove locking ring. Lineup to motor bracket. Push motor into motor bracket.

A



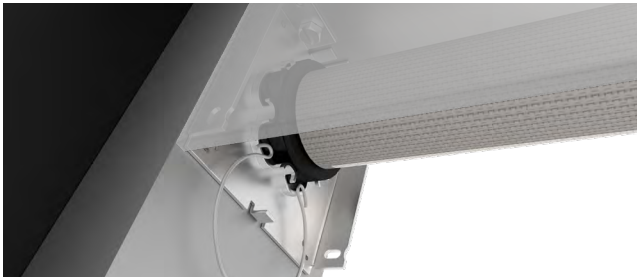
B



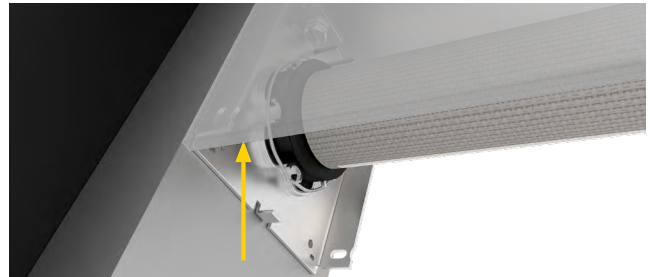
8 LOCK RING

Add locking ring to motor bracket. Check motor is secured correctly.

A



B



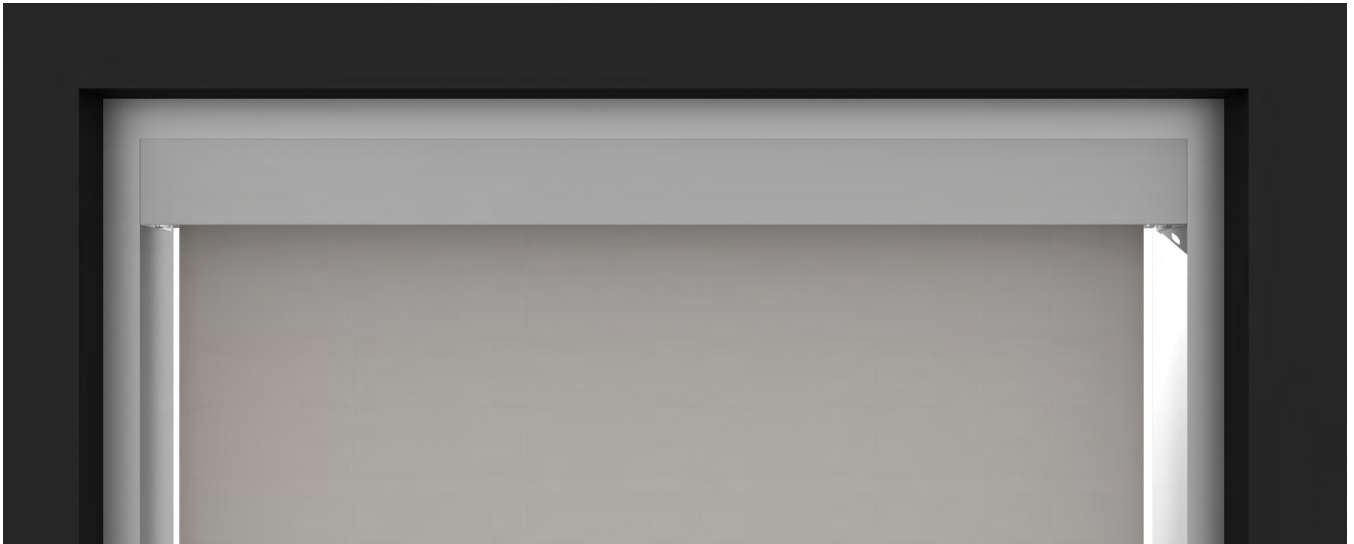
9 PLUG IN MOTOR

- Run motor power cord to nearest power outlet.
- Install wire tie pads and secure with zip ties to hold wire down.
- The path of the wire should be parallel with mullions and/or drop ceiling tiles ensuring the cable is neatly organized.
- Any modifications to the power cable should be done by a certified electrician to meet your city/state code requirements.

10 SHADE ADJUSTING (IF NECESSARY)

- Roll shade up and down to confirm hembar is level and material rolls up straight on center tube.
- If the hembar is not level, lower shade until you see the metal tube.
- Add layers of masking tape to the metal tube to the end that is too low until hembar is straight.
- If the material tracks to one side, lower shade until you see the metal tube.
- Add layers of masking tape to the metal tube to the end that is opposite the direction of tracking, until shade rolls up straight.





11 ADJUSTING LIMITS (IF NECESSARY)

See programming instructions based on the motor used for your application.