

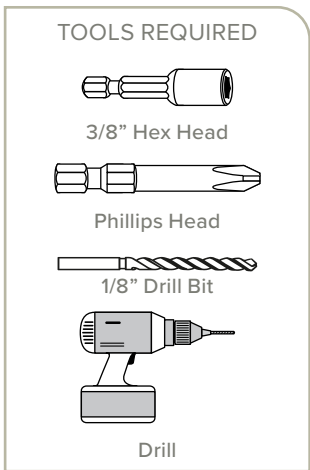
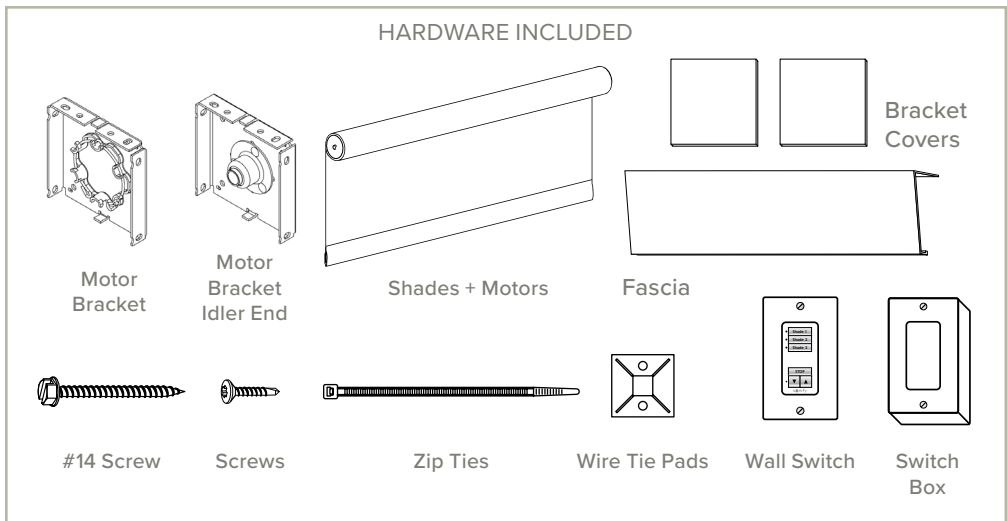
# CONTRACT PLUS<sup>+</sup> 4" TOP FASCIA

## INSTALLATION INSTRUCTIONS

Rollashade.com  
info@rollashade.com  
951.245.5077

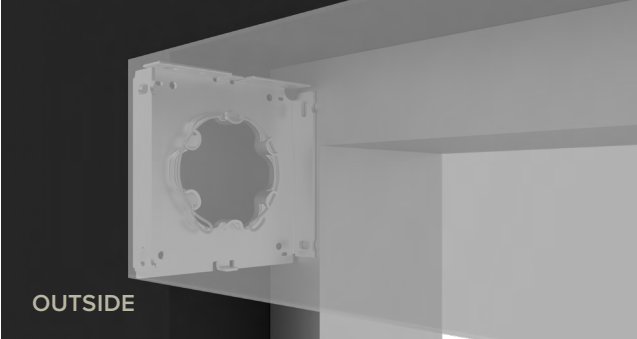
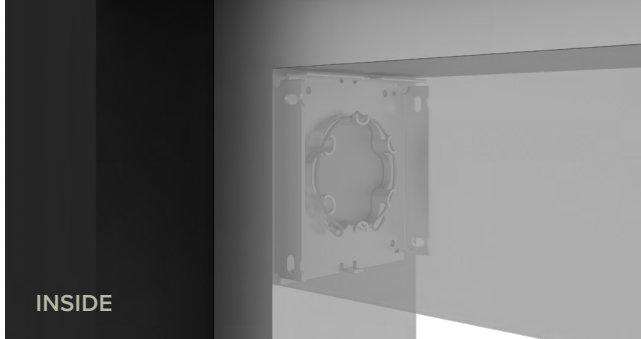
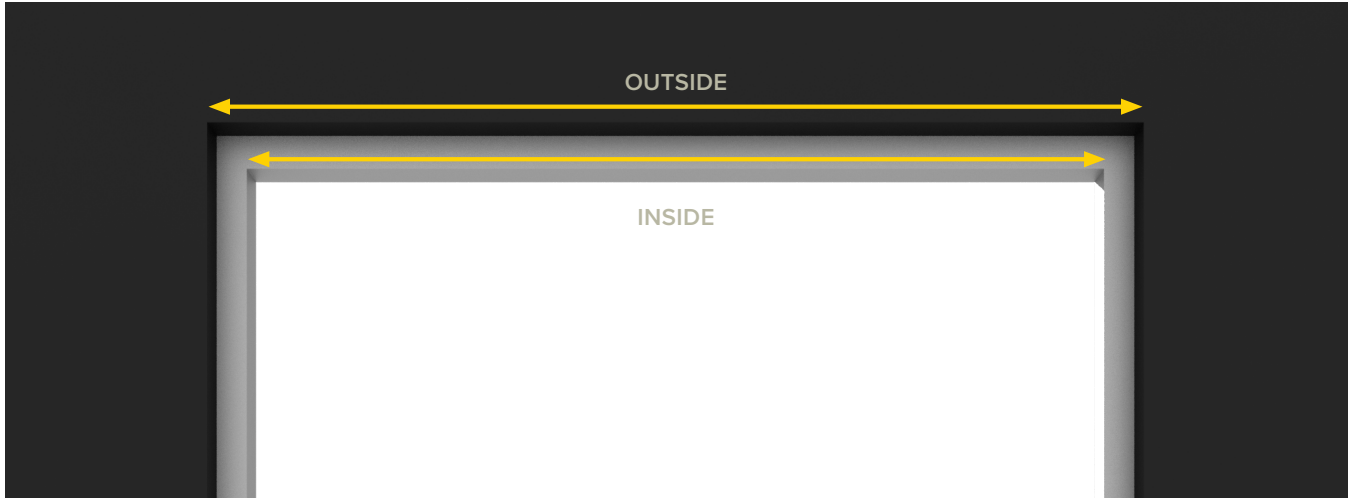
© Copyright Roll A Shade® Inc. All Rights Reserved.

 ROLL A SHADE



**1 INSIDE OR OUTSIDE APPLICATION**

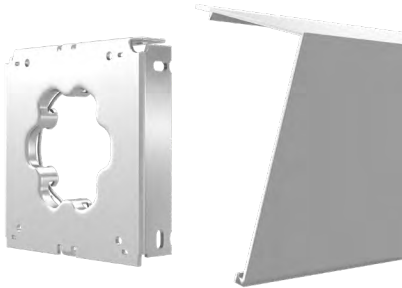
**\*\*NOTE: ALL SHADES MAY BE PRE-PROGRAMMED TO SENSORS, REMOTES, AND/OR WALL SWITCHES UPON ARRIVAL\*\***



## 2 INSTALL FASCIA INTO BRACKETS

Put fascia in place for both motor and idle end brackets.

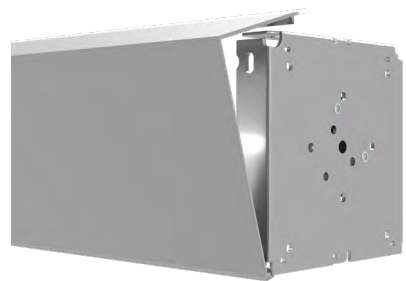
**A**



**B**



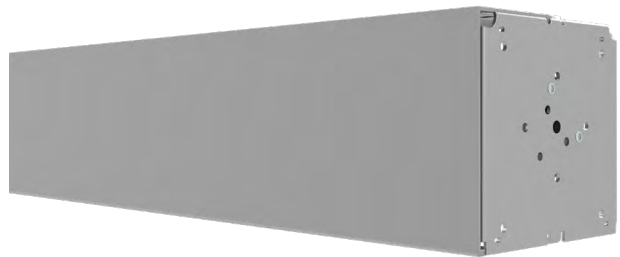
**C**



**D**



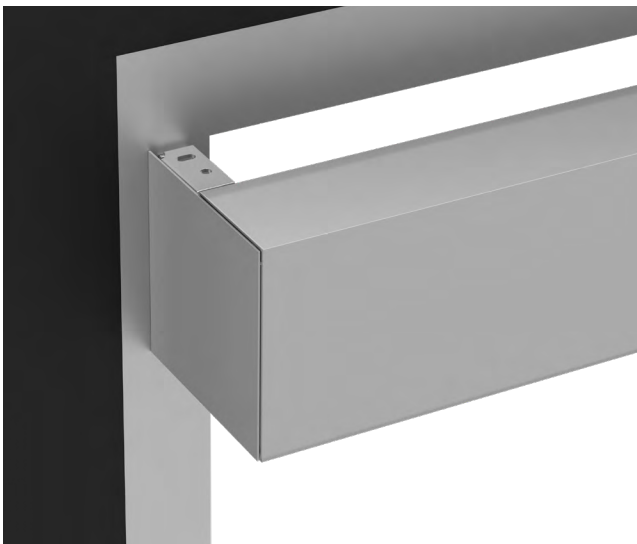
**E**



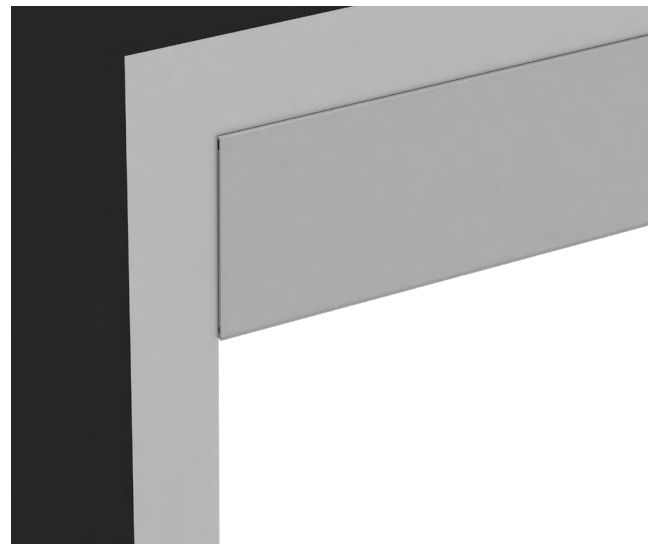
## 3 MOUNTING LOCATION

Place your brackets and fascia, (bracket covers optional), in its mounting location for inside or outside mount.

### A OUTSIDE MOUNT



### B INSIDE MOUNT



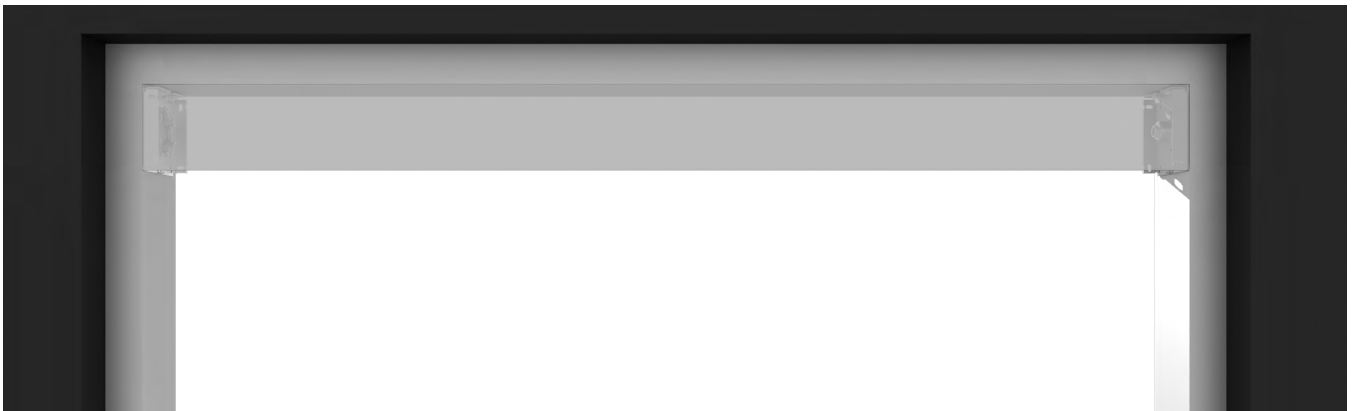
#### 4 SCREW INSTALLATION

Mark your screw holes. Next, pre-drill your screw holes using a 1/8" drill bit. Install the brackets & fascia with the provided screws using the 1/4" hex head driver.



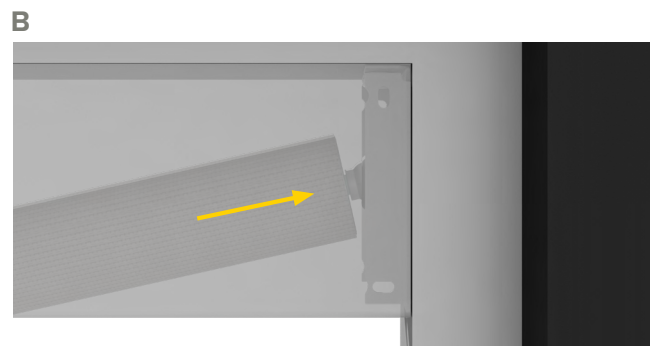
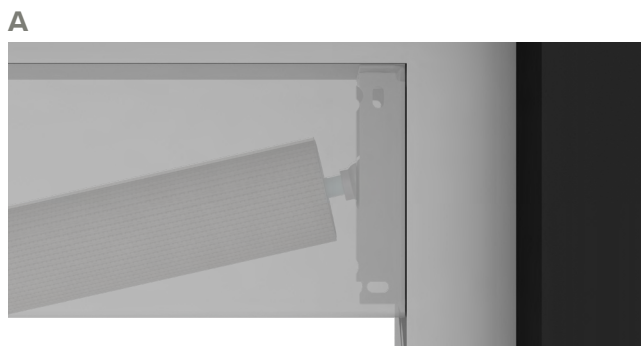
#### 5 ALIGNMENT

Check to make sure your brackets are level and aligned.



#### 6 SHADE PIN END INSTALLATION

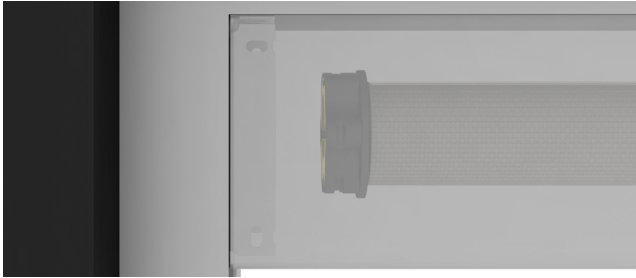
Swivel ball bearing to align with idler shaft for easy installation. Press idler shaft all the way to the bracket.



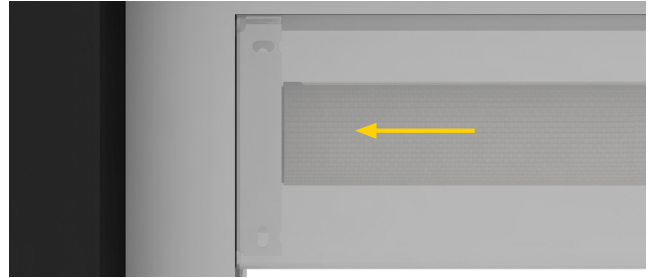
## 7 MOTOR END INSTALLATION

Remove locking ring. Lineup to motor bracket. Push motor into motor bracket.

**A**



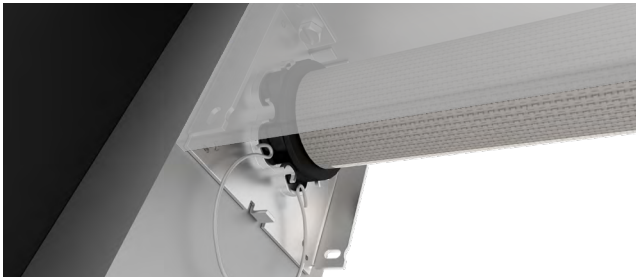
**B**



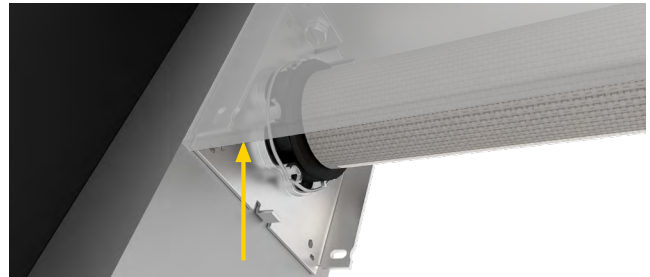
## 8 LOCK RING

Add locking ring to motor bracket. Check motor is secured correctly.

**A**



**B**



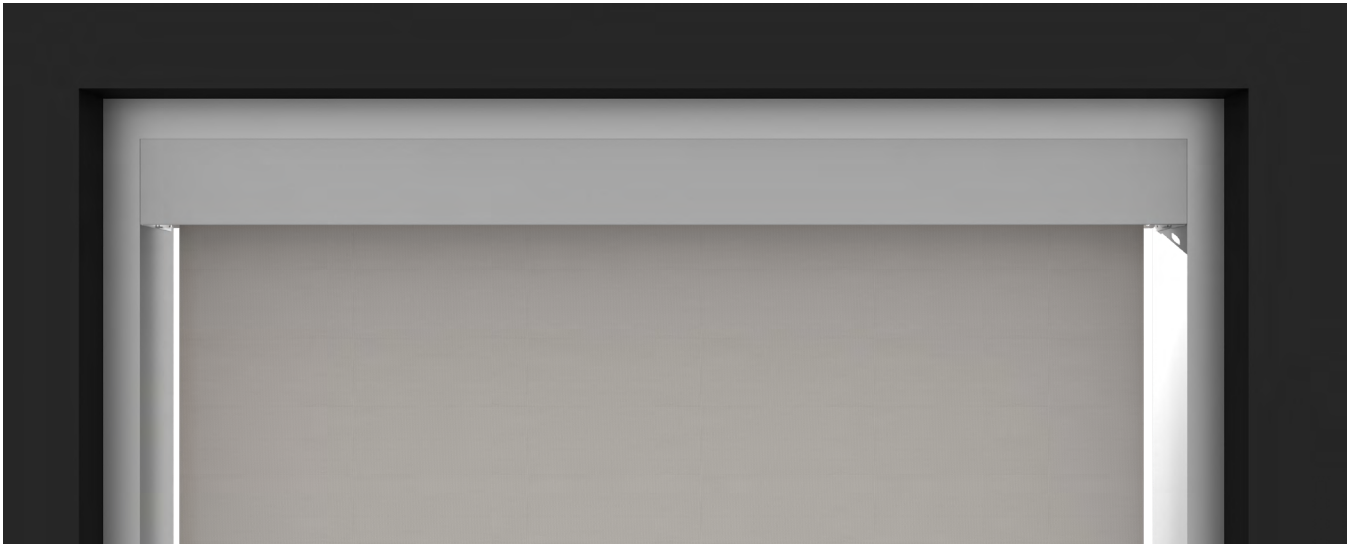
## 9 PLUG IN MOTOR

- Run motor power cord to nearest power outlet.
- Install wire tie pads and secure with zip ties to hold wire down.
- The path of the wire should be parallel with mullions and/or drop ceiling tiles ensuring the cable is neatly organized.
- Any modifications to the power cable should be done by a certified electrician to meet your city/state code requirements.

## 10 SHADE ADJUSTING (IF NECESSARY)

- Roll shade up and down to confirm hembar is level and material rolls up straight on center tube.
- If the hembar is not level, lower shade until you see the metal tube.
- Add layers of masking tape to the metal tube to the end that is too low until hembar is straight.
- If the material tracks to one side, lower shade until you see the metal tube.
- Add layers of masking tape to the metal tube to the end that is opposite the direction of tracking, until shade rolls up straight.





## 11 ADJUSTING LIMITS (IF NECESSARY)

See programming instructions based on the motor used for your application.