



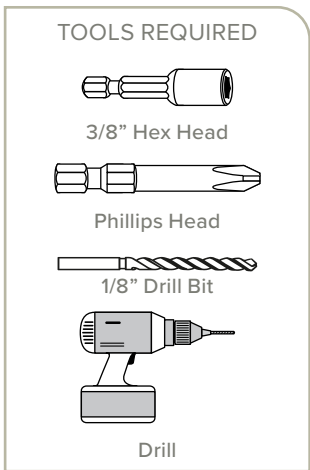
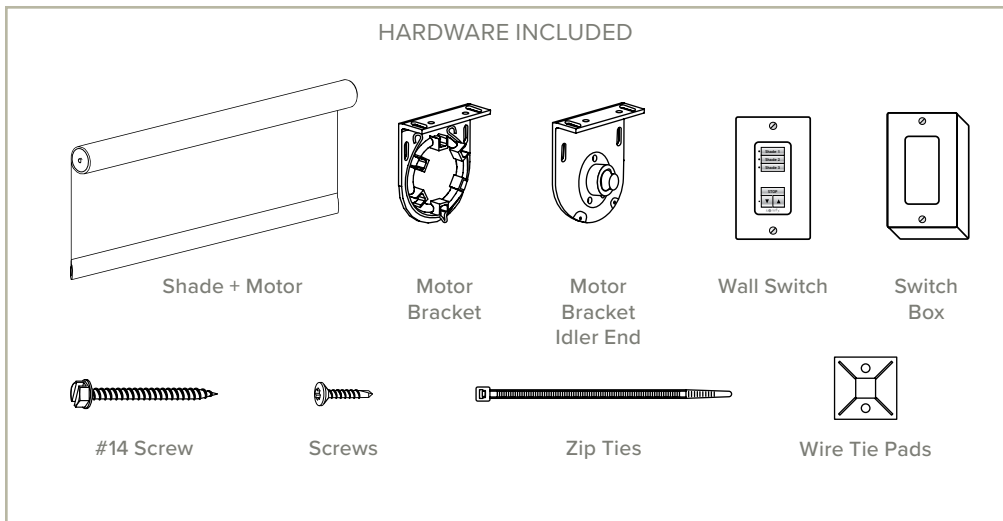
# CONTRACT PLUS<sup>+</sup> OPEN ROLL

## INSTALLATION INSTRUCTIONS

Rollashade.com  
info@rollashade.com  
951.245.5077

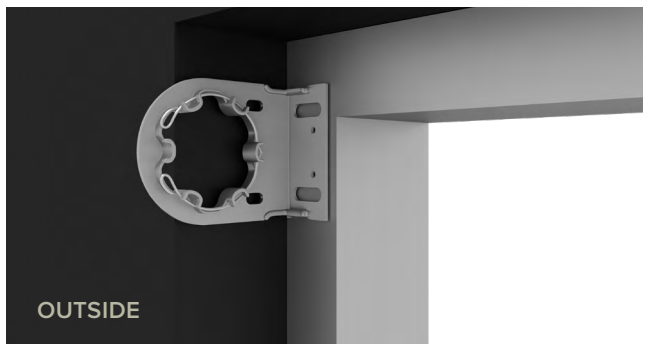
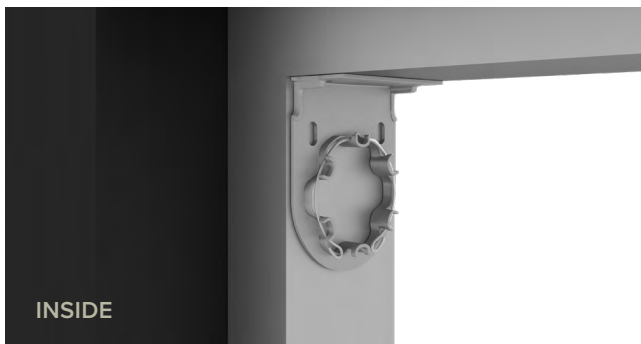
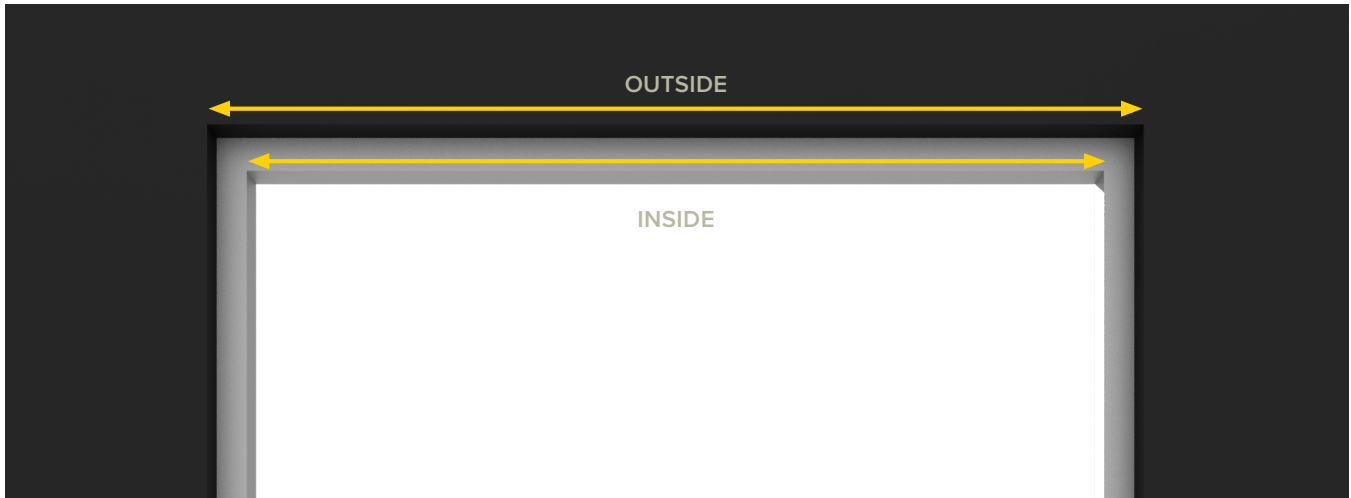
© Copyright Roll A Shade® Inc. All Rights Reserved.

 ROLL A SHADE



**1 INSIDE OR OUTSIDE APPLICATION**

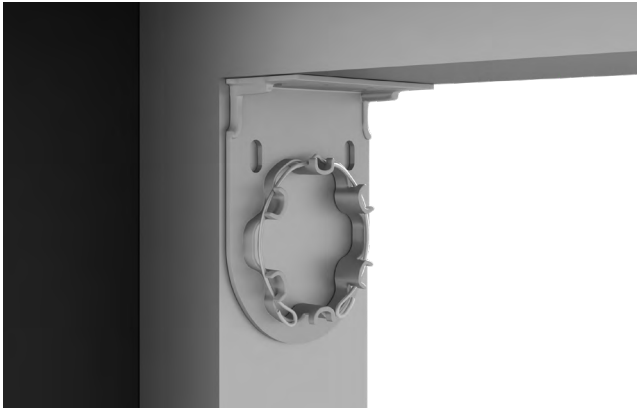
**\*\*NOTE: ALL SHADES MAY BE PRE-PROGRAMMED TO SENSORS, REMOTES, AND/OR WALL SWITCHES UPON ARRIVAL\*\***



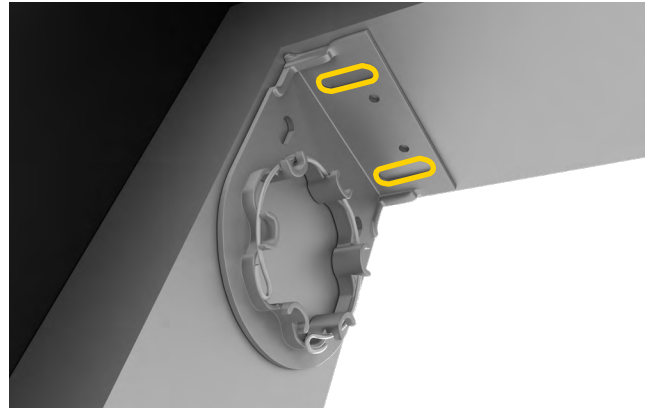
## 2 MOUNTING LOCATION

Place your first bracket in its mounting location and mark the screw holes. Place your second bracket in its mounting location and repeat the process.

A.



B.

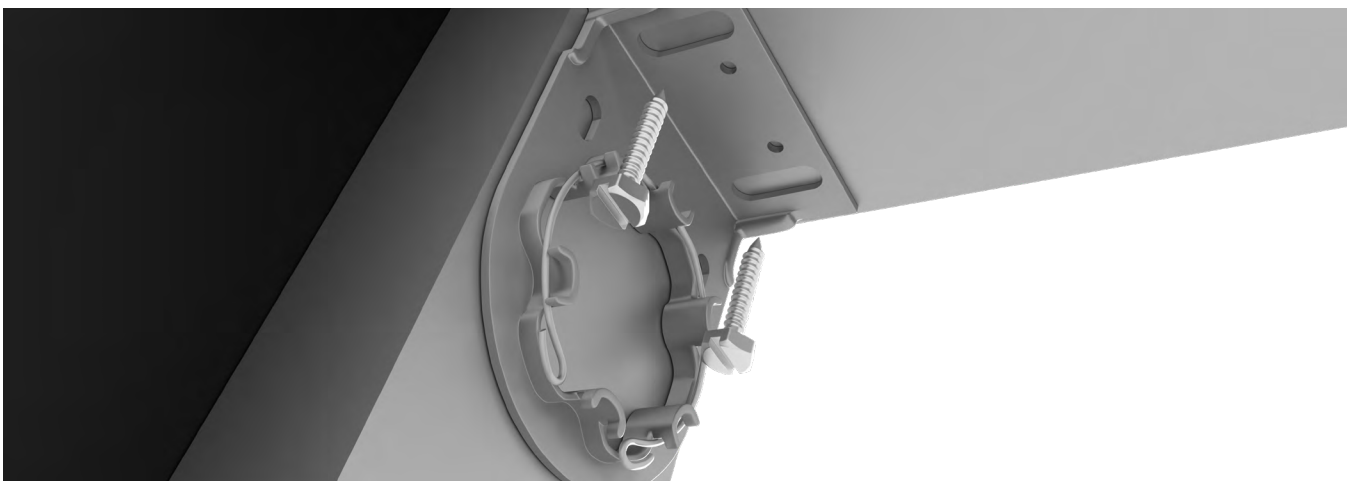


C.



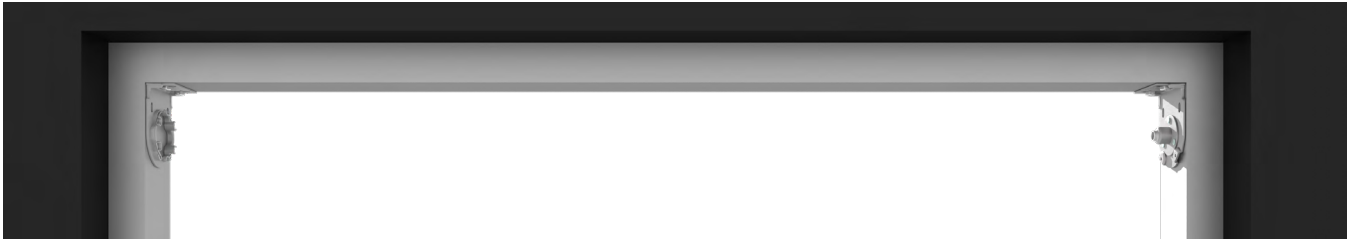
## 3 SCREW INSTALLATION

Next, pre-drill your screw holes using a 1/8" drill bit. Install the brackets with the provided screws using the 1/4" hex head driver.



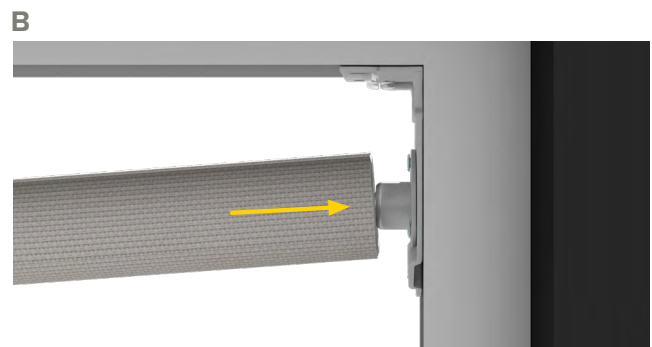
#### 4 ALIGNMENT

Check to make sure your brackets are level and aligned.



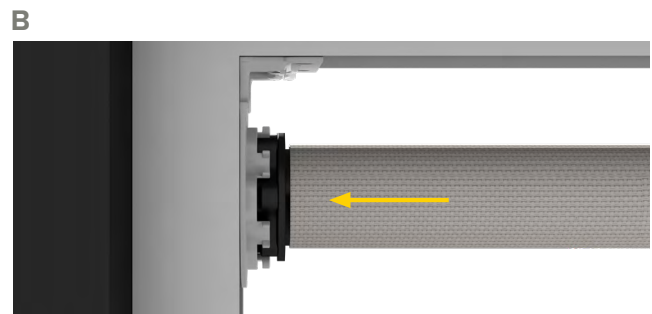
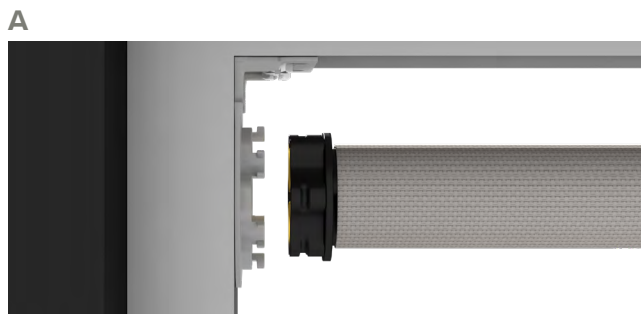
#### 5 SHADE PIN END INSTALLATION

Swivel ball bearing to align with idler shaft for easy installation. Press idler shaft all the way to the bracket.



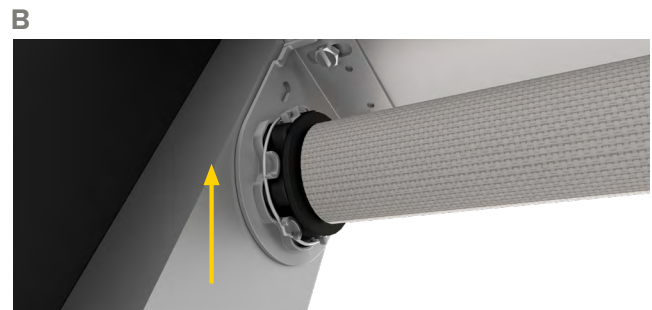
#### 6 MOTOR END INSTALLATION

Remove locking ring. Lineup to motor bracket. Push motor into motor bracket.



#### 7 LOCK RING INSTALLATION

Add locking ring to motor bracket. Check motor is secured correctly.



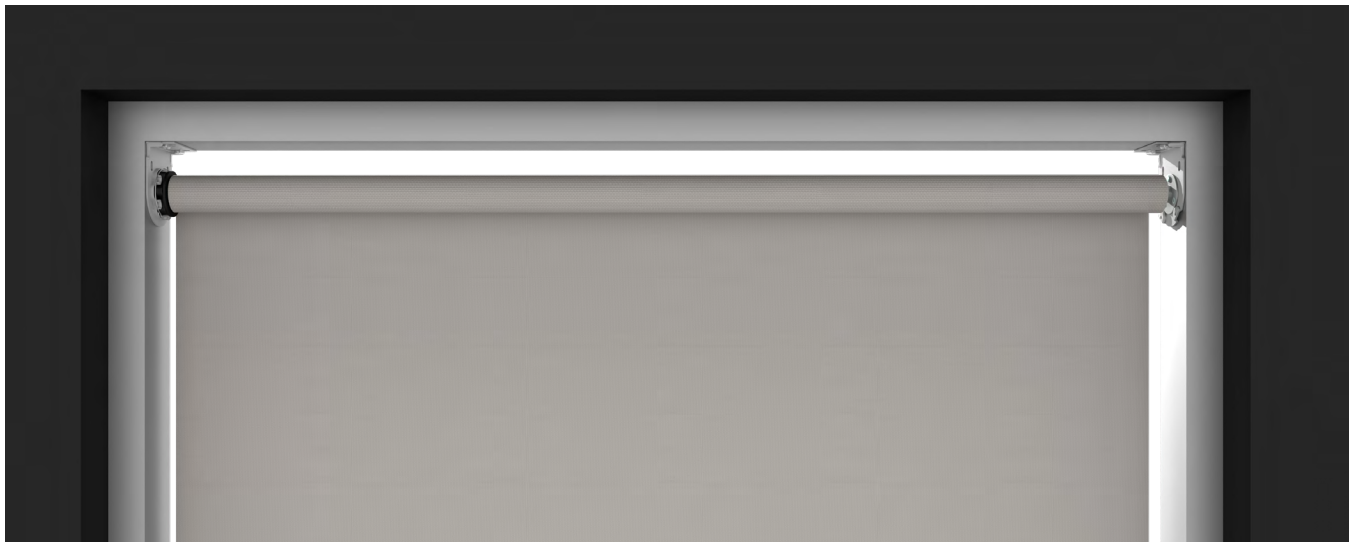
## 8 PLUG IN MOTOR

- Run motor power cord to nearest power outlet.
- Install wire tie pads and secure with zip ties to hold wire down.
- The path of the wire should be parallel with mullions and/or drop ceiling tiles ensuring the cable is neatly organized.
- Any modifications to the power cable should be done by a certified electrician to meet your city/state code requirements.



## 9 SHADE ADJUSTING (IF NECESSARY)

- Roll shade up and down to confirm hembar is level and material rolls up straight on center tube.
- If the hembar is not level, lower shade until you see the metal tube.
- Add layers of masking tape to the metal tube to the end that is too low until hembar is straight.
- If the material tracks to one side, lower shade until you see the metal tube.
- Add layers of masking tape to the metal tube to the end that is opposite the direction of tracking, until shade rolls up straight.



## 10 ADJUSTING LIMITS (IF NECESSARY)

See programming instructions based on the motor used for your application.