



ZIPSHADE 150 *OVER 118" WIDE*

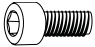



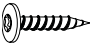

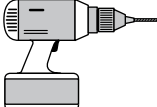

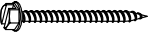
INSTALLATION INSTRUCTIONS

Rollashade.com
info@rollashade.com
951.245.5077

© Copyright Roll-A-Shade® Inc. All Rights Reserved.

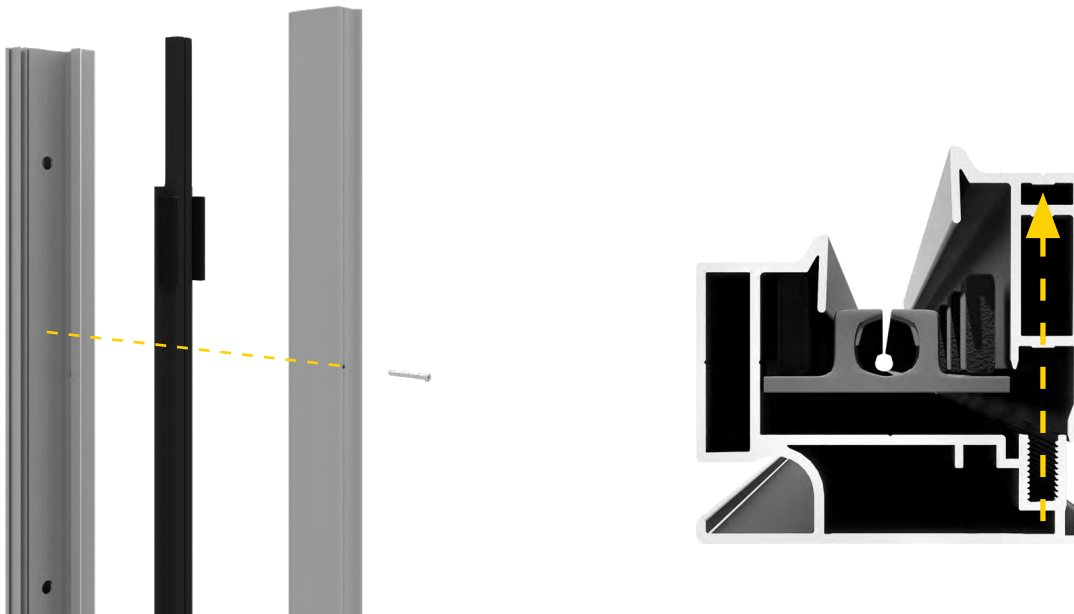


ZIPSHADE 150 OVER 118" WIDE | INSIDE MOUNT APPLICATION

| HARDWARE INCLUDED | TOOLS REQUIRED | | |
|---|---|--|--|
|  3 mm Allen screw |  25 Torque Bit |  3/16" Drill Bit |  3 mm Allen Wrench |
|  25 Torque Screw |  Level |  Drill |  Two Man Install |
|  1.5" Self tapping screws | | | |

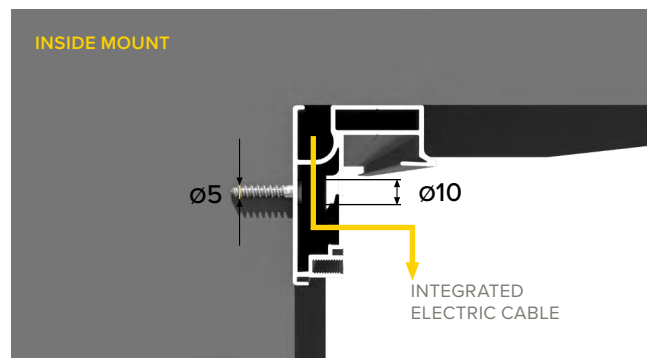
1 DISASSEMBLE 3-PART SIDE CHANNELS

Remove 3 mm Allen screws from front of side channel. Once all screws are removed, take off front cover and remove the inner rail. **DO NOT LOSE SCREWS!**



2 DRILL OUT HOLES

Side channels are pre-punched for holes. When drilling out holes use 3/16" drill bit. If shade is inside mount, drill out holes on the side of the side channel.



3 DISASSEMBLE HEADBOX

Remove all components inside headbox.



4 LIFTING BOX INTO OPENING

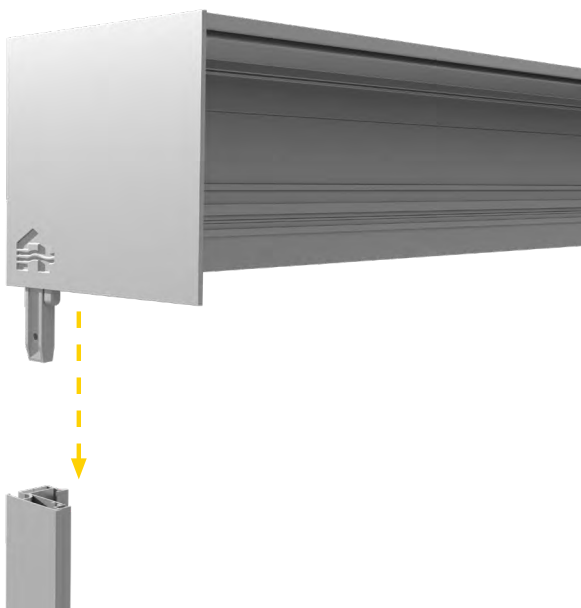
A From working position, insert both side channel A and Channel B into headbox locking pins. Using both workers, grab each side channel and lift headbox into opening.

B Once headbox and side channels are resting in opening, secure both A and B side channels through top hole.

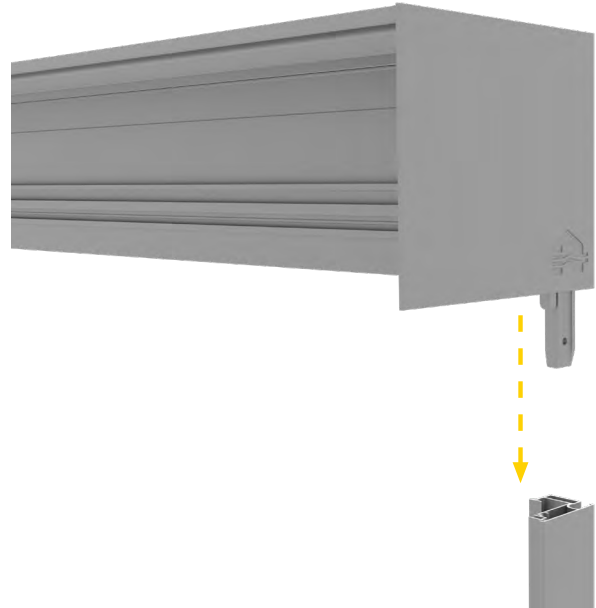
C Using a level, make sure Side Channel A is plumb. Insert screw in bottom hole. Using a level, make sure Side Channel B is plumb. Prior to securing, double check width at the top and bottom of the side channel. When width is verified and Side Channel B is plumb, insert screw in bottom hole. **WIDTH MUST BE EXACT FOR SHADE TO OPERATE PROPERLY.**

D Continue affixing channels through remaining holes.

4A



CHANNEL A



CHANNEL B

4B



CHANNEL A

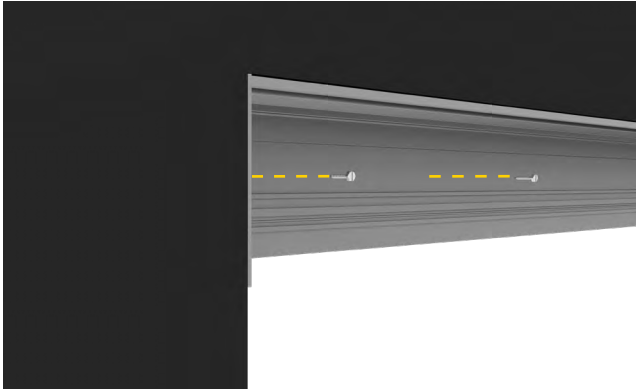


CHANNEL B

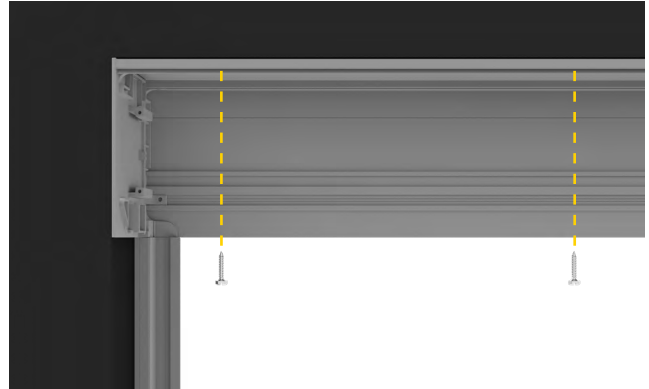
5 SECURING THE HEADBOX | WHEN SHADES ARE OVER 118" WIDE, THE HEADBOX MUST BE SECURED

Always secure the headbox as close as possible to the groove. One screw needs to be secured in the center of the headbox. At least two additional screws need to be secured on the left and right of the box, as close as possible to the side brackets.

A



B

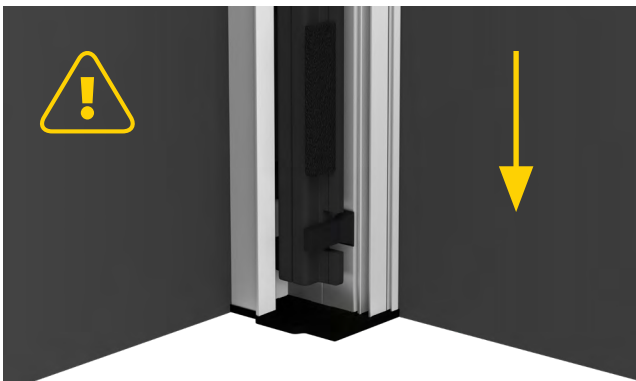


NOTE: A and B are screw mounting options.

C



HEADBOX MUST BE LEVELED.



The PVC-side channel extends from the aluminium side channel. If you shorten the aluminium side channel, you need to take into account the same overlength for the PVC side channel.

6 SECURING THE SIDE CHANNELS

Using a level, make sure Side Channel A is plumb. Insert screw in bottom hole. Using a level, make sure Side Channel B is plumb. Prior to securing, double check width at the top and bottom of the side channel. When width is verified and Side Channel B is level, insert screw in bottom hole. **WIDTH MUST BE EXACT FOR SHADE TO OPERATE PROPERLY.** Once width is verified at top and bottom, insert remaining screws to secure side channels.

7 RE-INSTALLING THE SHADE

- A** Feed motor cord through grommet.
- B** Place pin end inside the pin end bracket and insert the shade. Once shade is inserted, secure the motor bracket by installing the two Phillips screws back into the bracket.
- C** Make sure cord is fed through grommet and re-attach plug.
- D** Re-insert front part of headbox into the groove and secure by screwing in two screws on the underside of the box.

8 INSERTING THE ZIPPER INTO THE INNER RAIL

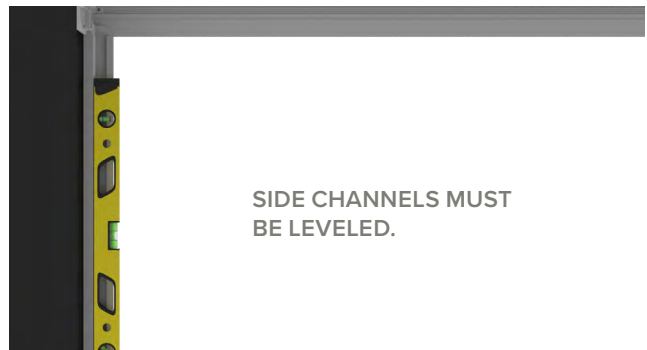
- A INNER RAILS ARE SPECIFIC TO EACH SIDE CHANNEL.** The top of the inner rail has a “V” shape cut into it. The bottom of the inner rail has a notch. The notch should face the installer when installing - the notch will determine whether the rail belongs in the right or left side channel.
- B** Slide zipper into the inner rail from bottom to top. To secure the inner rail inside the side channel, hook the foam guides behind the lip in the side channel. At the bottom of the inner rail, hook the notch behind the clip. This will lock the inner rail into position.

9 ENCLOSING THE SIDE CHANNELS

Insert the front part of the channel into the installed channel. Insert screws back into side channel to secure.

10 PROGRAMMING REMOTES

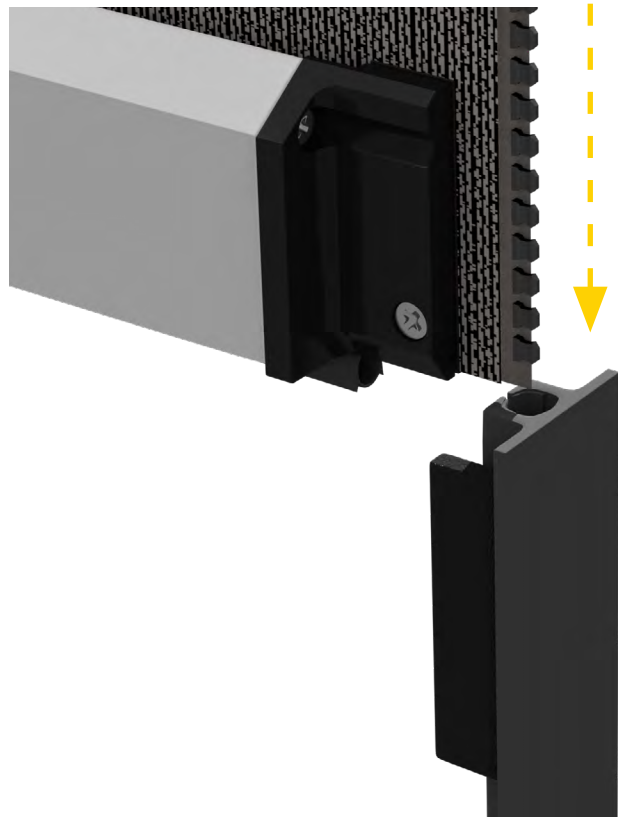
Please see corresponding programming instructions.



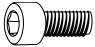



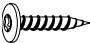

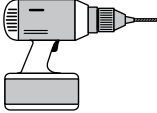

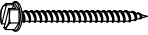
7A



8A

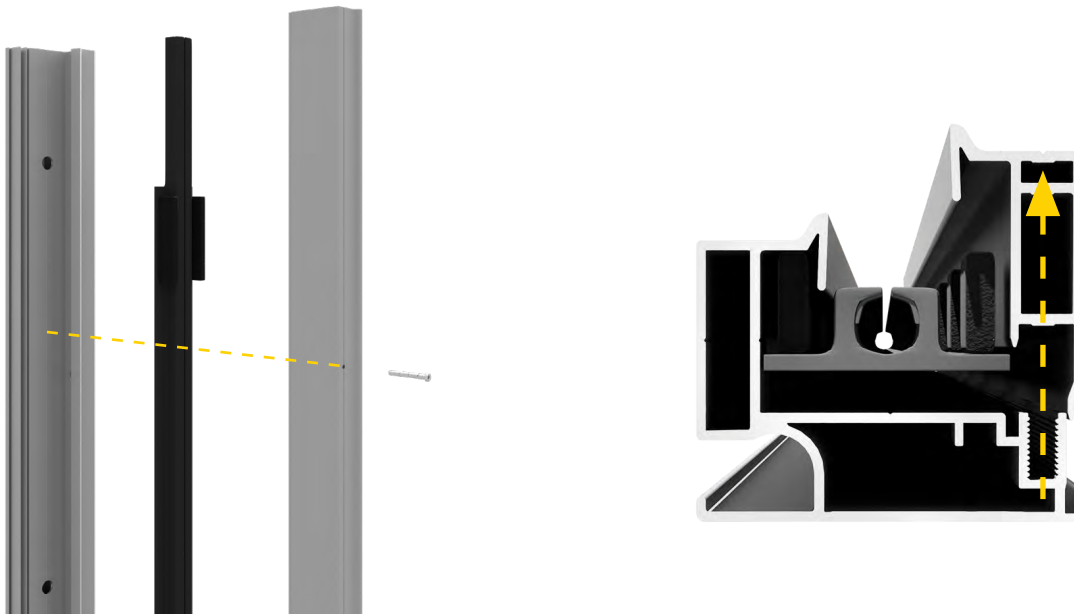


ZIPSHADE 150 OVER 118" WIDE | OUTSIDE MOUNT APPLICATION

| HARDWARE INCLUDED | TOOLS REQUIRED | | |
|---|---|---|--|
|  3 mm Allen screw |  25 Torque Bit |  3/16" Drill Bit |  3 mm Allen Wrench |
|  25 Torque Screw |  Level |  Drill |  Two Man Install |
|  1.5" Self tapping screws | | | |

1 DISASSEMBLE 3-PART SIDE CHANNELS

Remove 3 mm Allen screws from front of side channel. Once all screws are removed, take off front cover and remove the inner rail. **DO NOT LOSE SCREWS!**

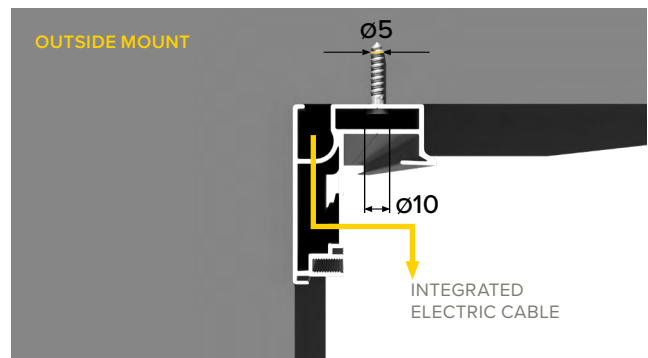


2 DRILL OUT HOLES

Side channels are pre-punched for holes. When drilling out holes use 3/16" drill bit. If shade is outside mount, drill out holes on the back of the channel.

3 MAKE YOUR MARKS

Using the back piece of one side channel (side channel A), make sure side channel is plumb for installation. Using a pencil, mark the holes.



4 DISASSEMBLE HEADBOX

Remove all components inside headbox.



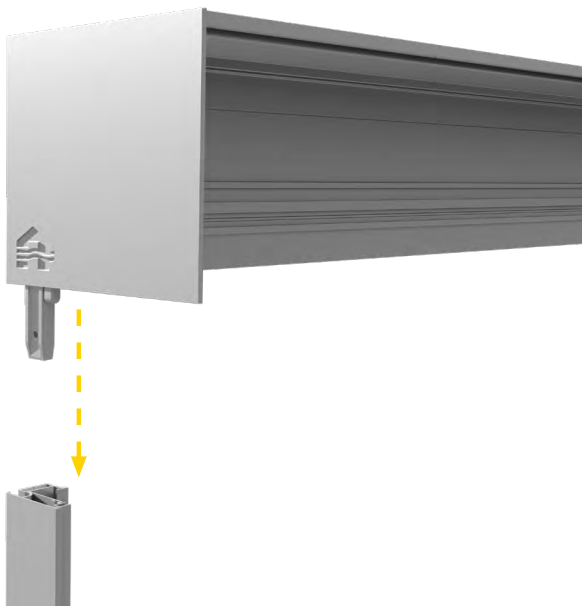
5 MOUNTING SIDE CHANNEL A

Line up holes with your marks. Using a torque 25 screw, drill screw through the top hole of the side channel.

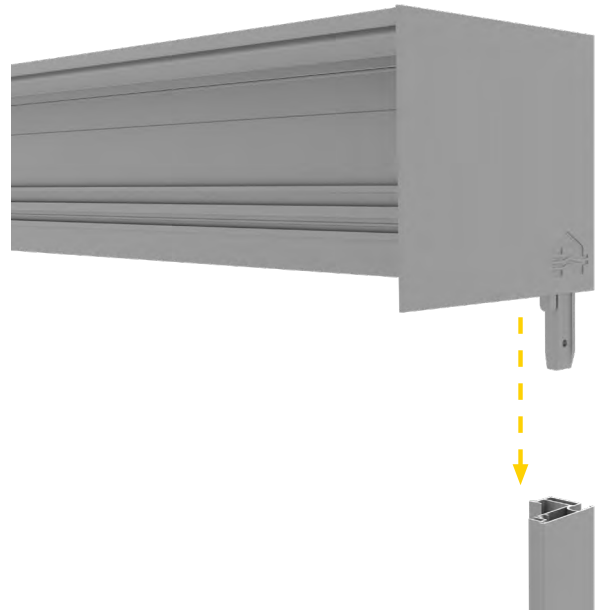
6 SECURING THE HEADBOX AND MOUNTING SIDE CHANNEL B

Using both workers, lift headbox into position. Slide box into the back part of the side channel A ensuring that the locking pins are inserted into the side channel. Place level on headbox, ensuring it is level. Insert Side Channel B into the locking pins on headbox. One headbox is level, screw torque screw into the top hole in Side Channel B. The box should now be locked into both side channels.

6A



CHANNEL A



CHANNEL B

6B



CHANNEL A



CHANNEL B

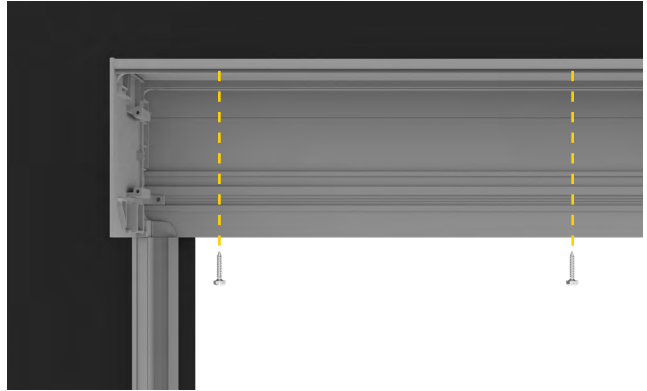
7 SECURING THE HEADBOX | WHEN SHADES ARE OVER 118" WIDE, THE HEADBOX MUST BE SECURED

Always secure the headbox as close as possible to the groove. One screw needs to be secured in the center of the headbox. At least two additional screws need to be secured on the left and right of the box, as close as possible to the side brackets.

A

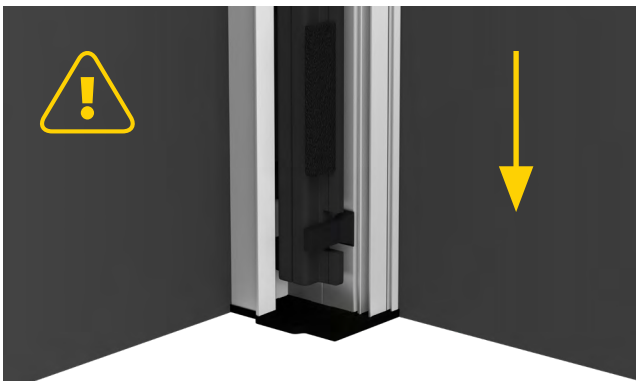


B



NOTE: A and B are screw mounting options.

C



The PVC-side channel extends from the aluminium side channel. If you shorten the aluminium side channel, you need to take into account the same overlength for the PVC side channel.

8 SECURING THE SIDE CHANNELS

Using a level, make sure Side Channel A is plumb. Insert screw in bottom hole. Using a level, make sure Side Channel B is plumb. Prior to securing, double check width at the top and bottom of the side channel. When width is verified and Side Channel B is level, insert screw in bottom hole. **WIDTH MUST BE EXACT FOR SHADE TO OPERATE PROPERLY.** Once width is verified at top and bottom, insert remaining screws to secure side channels.

9 RE-INSTALLING THE SHADE

- A** Feed motor cord through grommet.
- B** Place pin end inside the pin end bracket and insert the shade. Once shade is inserted, secure the motor bracket by installing the two Phillips screws back into the bracket.
- C** Make sure cord is fed through grommet and re-attach plug.
- D** Re-insert front part of headbox into the groove and secure by screwing in two screws on the underside of the box.

10 INSERTING THE ZIPPER INTO THE INNER RAIL

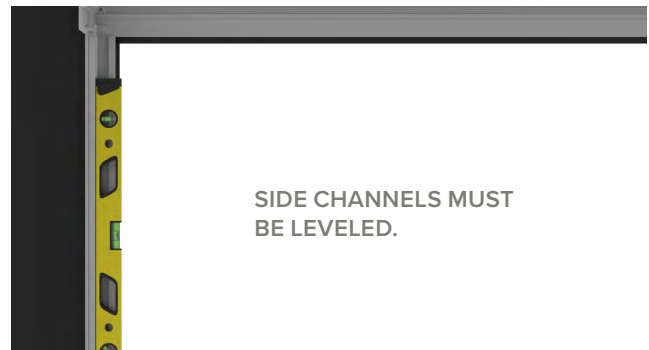
- A** **INNER RAILS ARE SPECIFIC TO EACH SIDE CHANNEL.** The top of the inner rail has a “V” shape cut into it. The bottom of the inner rail has a notch. The notch should face the installer when installing - the notch will determine whether the rail belongs in the right or left side channel.
- B** Slide zipper into the inner rail from bottom to top. To secure the inner rail inside the side channel, hook the foam guides behind the lip in the side channel. At the bottom of the inner rail, hook the notch behind the clip. This will lock the inner rail into position.

11 ENCLOSING THE SIDE CHANNELS

Insert the front part of the channel into the installed channel. Insert screws back into side channel to secure.

12 PROGRAMMING REMOTES

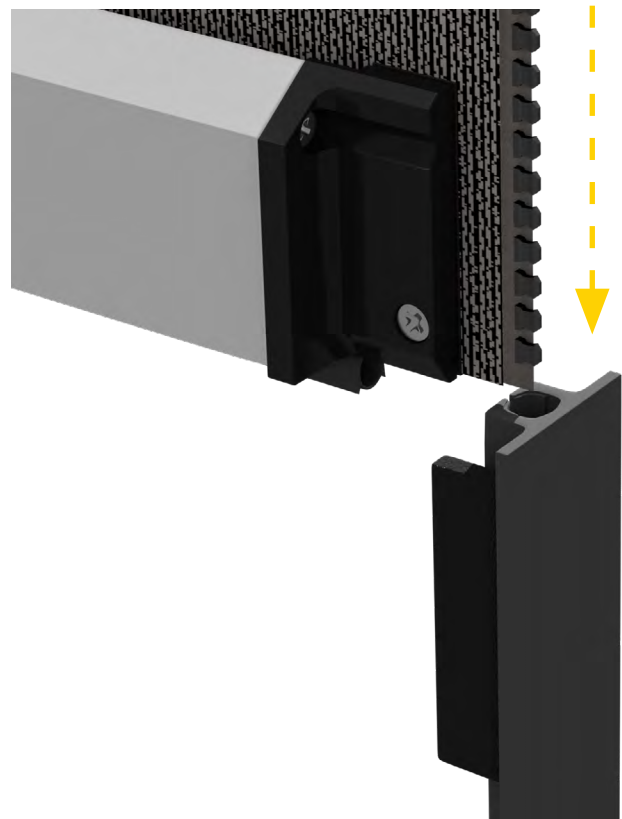
Please see corresponding programming instructions.



9A



10A





ZIPSHADE 150 *UNDER 10^{FT} WIDE*

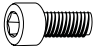

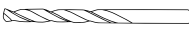

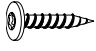

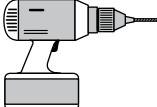

INSTALLATION INSTRUCTIONS

Rollashade.com
info@rollashade.com
951.245.5077

© Copyright Roll-A-Shade® Inc. All Rights Reserved.

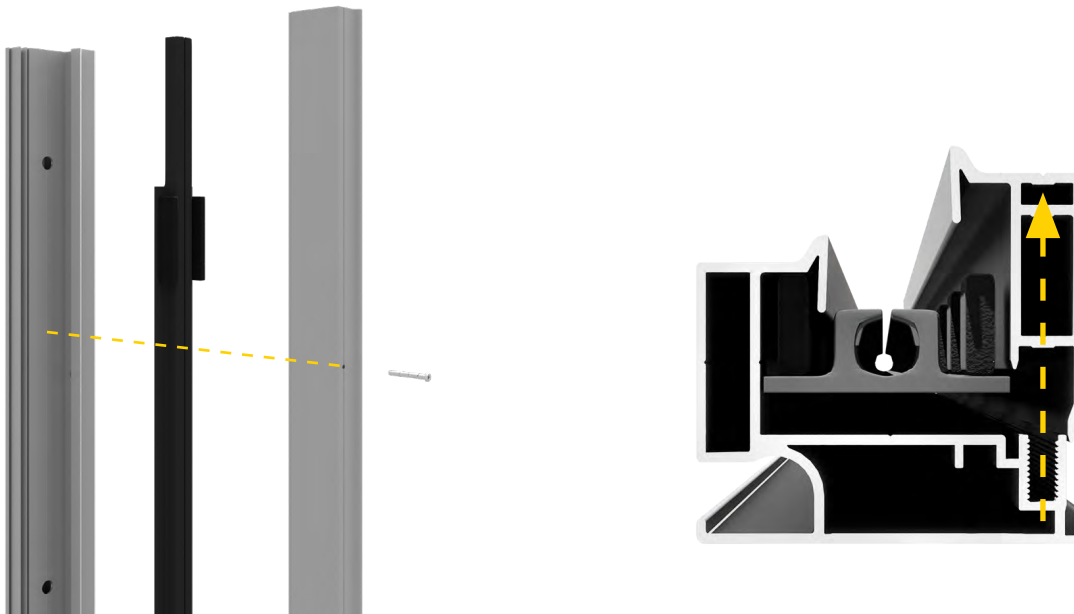


ZIPSHADE 150 UNDER 10 FEET WIDE | INSIDE MOUNT APPLICATION

| HARDWARE INCLUDED | TOOLS REQUIRED | | |
|---|---|--|---|
|  |  |  |  |
| 3 mm Allen screw | 25 Torque Bit | 3/16" Drill Bit | 3 mm Allen Wrench |
|  |  |  |  |
| 25 Torque Screw | Level | Drill | Two Man Install |

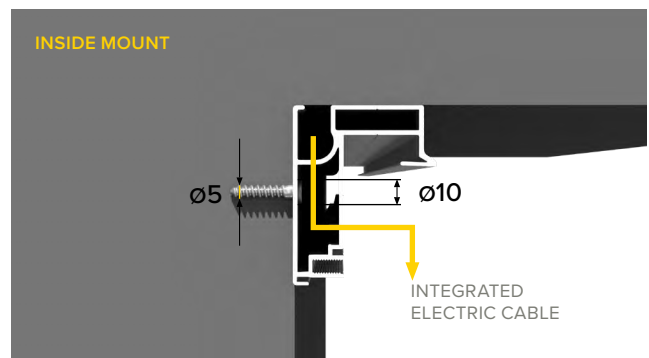
1 DISASSEMBLE 3-PART SIDE CHANNELS

Remove 3 mm Allen screws from front of side channel. Once all screws are removed, take off front cover and remove the inner rail. **DO NOT LOSE SCREWS!**



2 DRILL OUT HOLES

Side channels are pre-punched for holes. When drilling out holes use 3/16" drill bit. If shade is inside mount, drill out holes on the side of the side channel.



3 LIFTING BOX INTO OPENING

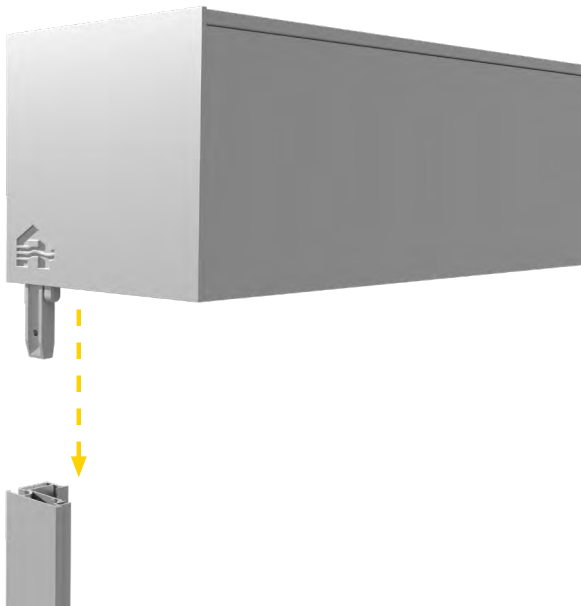
A From working position, insert both side channel A and Channel B into headbox locking pins. Using both workers, grab each side channel and lift headbox into opening.

B Once headbox and side channels are resting in opening, secure both A and B side channels through top hole.

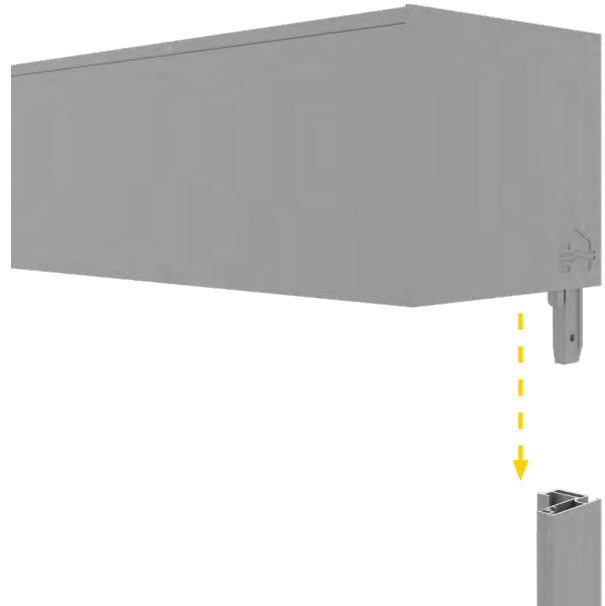
C Using a level, make sure Side Channel A is plumb. Insert screw in bottom hole. Using a level, make sure Side Channel B is plumb. Prior to securing, double check width at the top and bottom of the side channel. When width is verified and Side Channel B is plumb, insert screw in bottom hole. **WIDTH MUST BE EXACT FOR SHADE TO OPERATE PROPERLY.**

D Continue affixing channels through remaining holes.

3A

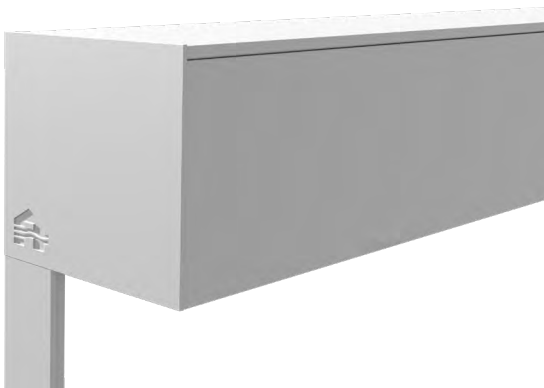


CHANNEL A



CHANNEL B

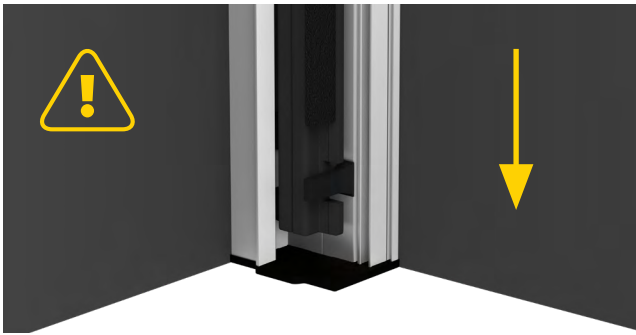
3B



CHANNEL A



CHANNEL B



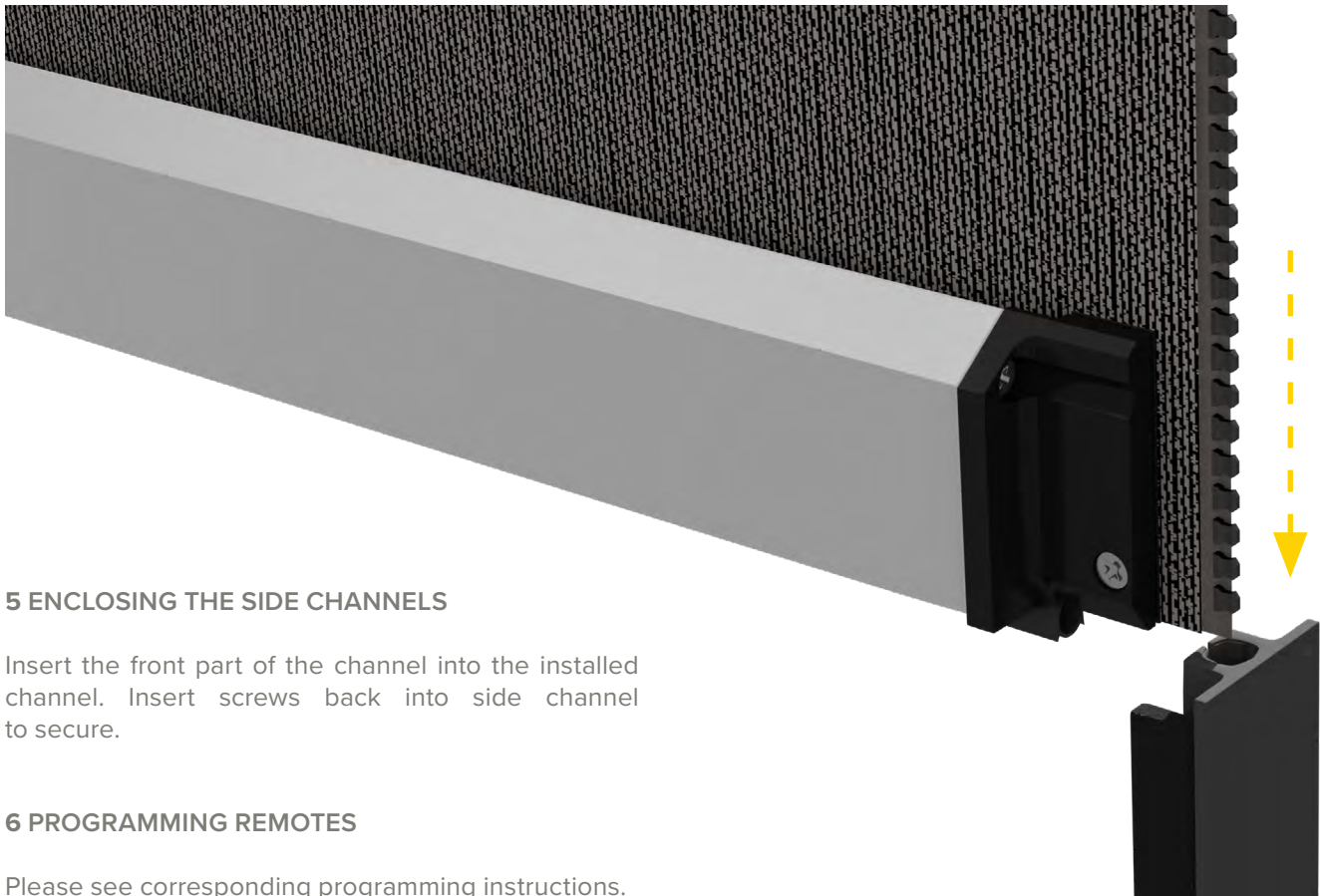
The PVC-side channel extends from the aluminium side channel. If you shorten the aluminium side channel, you need to take into account the same overlength for the PVC side channel.

4 INSERTING THE ZIPPER INTO THE INNER RAIL

A INNER RAILS ARE SPECIFIC TO EACH SIDE CHANNEL. The top of the inner rail has a “V” shape cut into it. The bottom of the inner rail has a notch. The notch should face the installer when installing - the notch will determine whether the rail belongs in the right or left side channel.

B Slide zipper into the inner rail from bottom to top. To secure the inner rail inside the side channel, hook the foam guides behind the lip in the side channel. At the bottom of the inner rail, hook the notch behind the clip. This will lock the inner rail into position.

4A



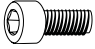



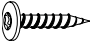

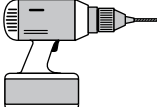

5 ENCLOSING THE SIDE CHANNELS

Insert the front part of the channel into the installed channel. Insert screws back into side channel to secure.

6 PROGRAMMING REMOTES

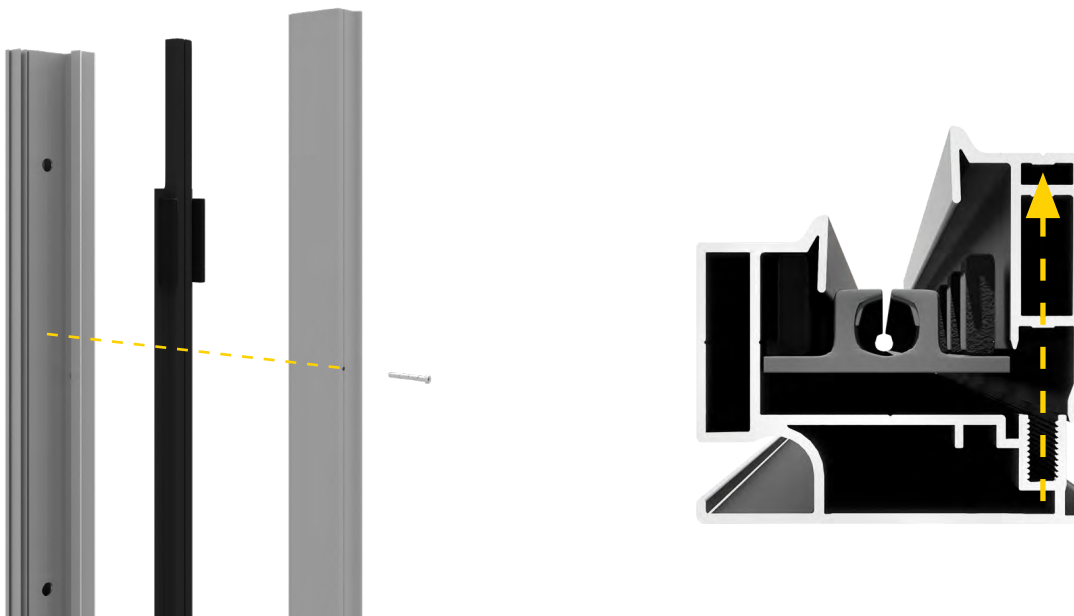
Please see corresponding programming instructions.

ZIPSHADE 150 UNDER 10 FEET WIDE | OUTSIDE MOUNT APPLICATION

| HARDWARE INCLUDED | TOOLS REQUIRED | | |
|---|--|---|--|
|  <p>3 mm Allen screw</p> |  <p>25 Torque Bit</p> |  <p>3/16" Drill Bit</p> |  <p>3 mm Allen Wrench</p> |
|  <p>25 Torque Screw</p> |  <p>Level</p> |  <p>Drill</p> |  <p>Two Man Install</p> |

1 DISASSEMBLE 3-PART SIDE CHANNELS

Remove 3 mm Allen screws from front of side channel. Once all screws are removed, take off front cover and remove the inner rail. **DO NOT LOSE SCREWS!**

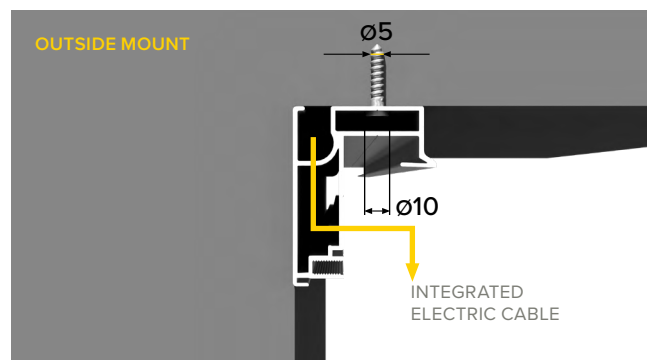


2 DRILL OUT HOLES

Side channels are pre-punched for holes. When drilling out holes use 3/16" drill bit. If shade is outside mount, drill out holes on the back of the channel.

3 MAKE YOUR MARKS

Using the back piece of one side channel (side channel A), make sure side channel is plumb for installation. Using a pencil, mark the holes.



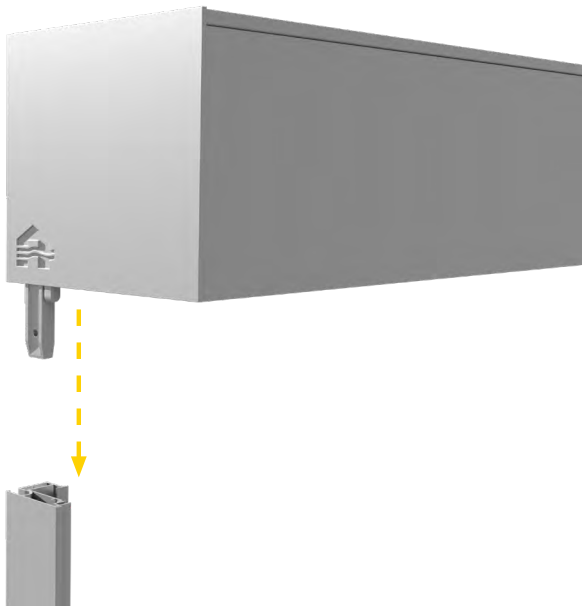
4 MOUNTING SIDE CHANNEL A

Line up holes with your marks. Using a torque 25 screw, drill screw through the top hole of the side channel.

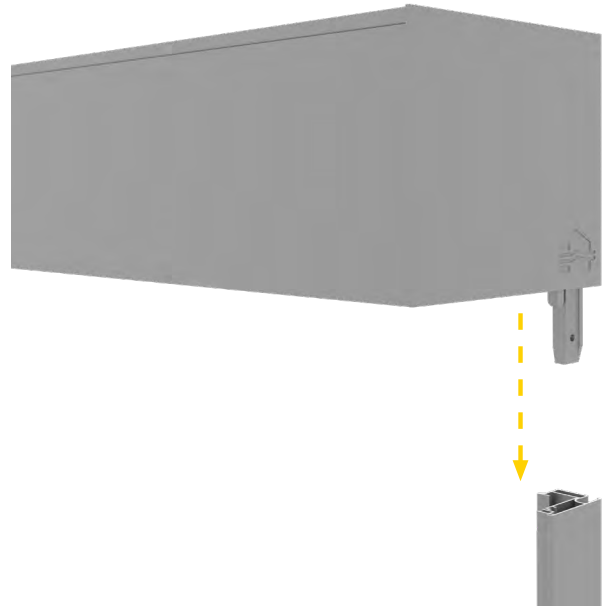
5 SECURING THE HEADBOX AND MOUNTING SIDE CHANNEL B

Using both workers, lift headbox into position. Slide box into the back part of the side channel A ensuring that the locking pins are inserted into the side channel. Place level on headbox, ensuring it is level. Insert Side Channel B into the locking pins on headbox. One headbox is level, screw torque screw into the top hole in Side Channel B. The box should now be locked into both side channels.

5A

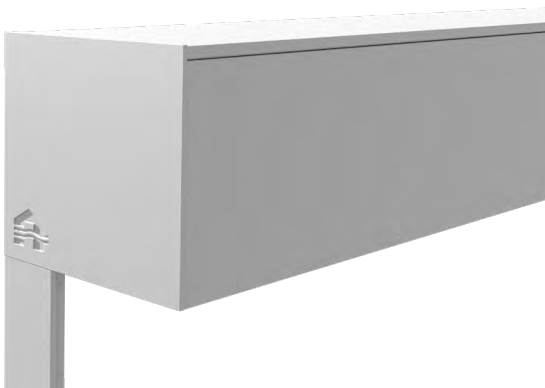


CHANNEL A



CHANNEL B

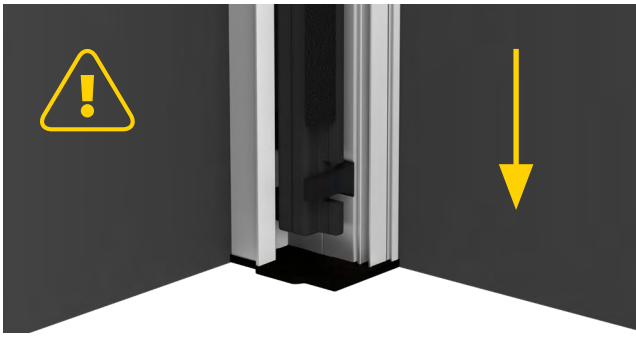
5B



CHANNEL A



CHANNEL B



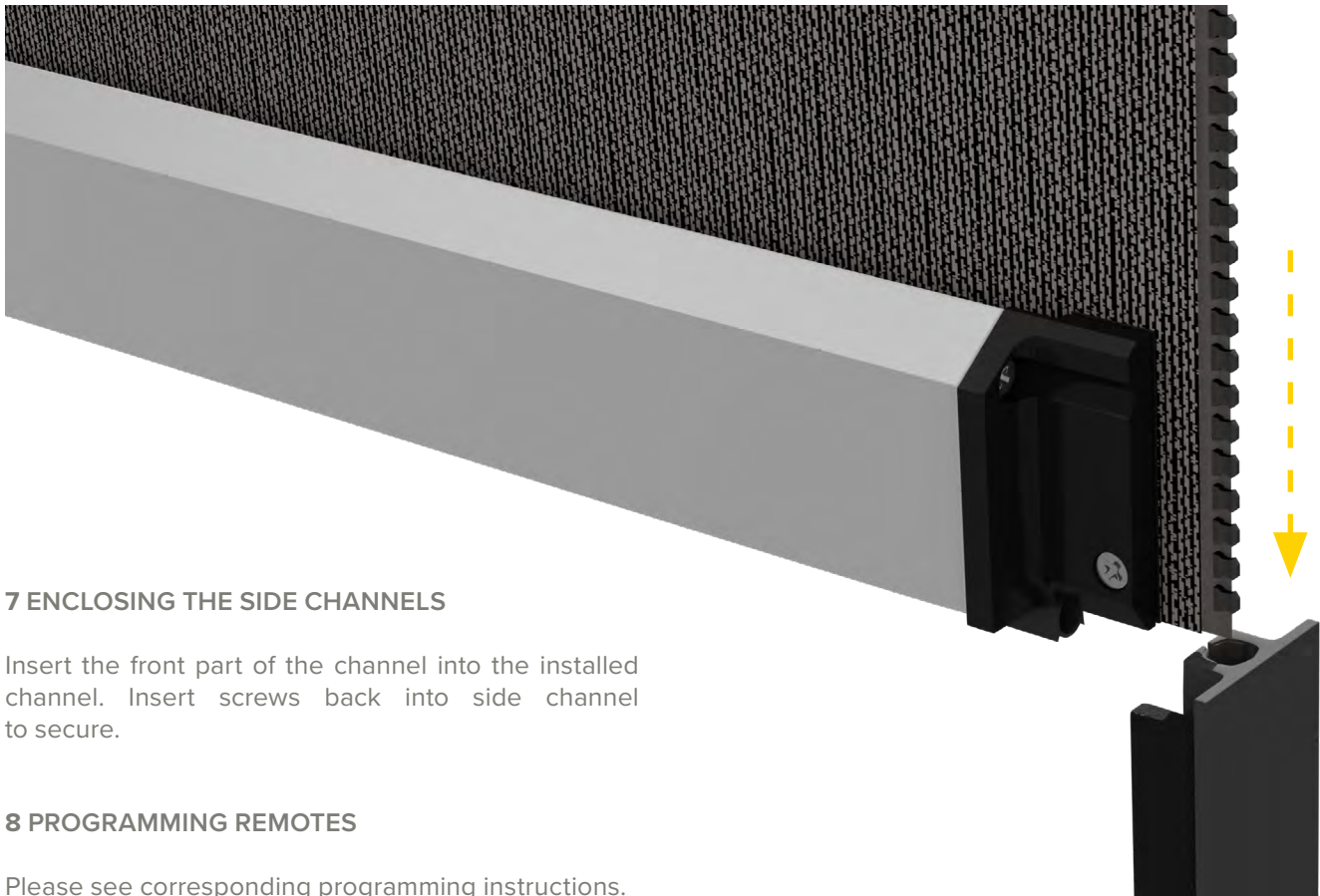
The PVC-side channel extends from the aluminium side channel. If you shorten the aluminium side channel, you need to take into account the same overlength for the PVC side channel.

6 INSERTING THE ZIPPER INTO THE INNER RAIL

A INNER RAILS ARE SPECIFIC TO EACH SIDE CHANNEL. The top of the inner rail has a “V” shape cut into it. The bottom of the inner rail has a notch. The notch should face the installer when installing - the notch will determine whether the rail belongs in the right or left side channel.

B Slide zipper into the inner rail from bottom to top. To secure the inner rail inside the side channel, hook the foam guides behind the lip in the side channel. At the bottom of the inner rail, hook the notch behind the clip. This will lock the inner rail into position.

6A



7 ENCLOSING THE SIDE CHANNELS

Insert the front part of the channel into the installed channel. Insert screws back into side channel to secure.

8 PROGRAMMING REMOTES

Please see corresponding programming instructions.