

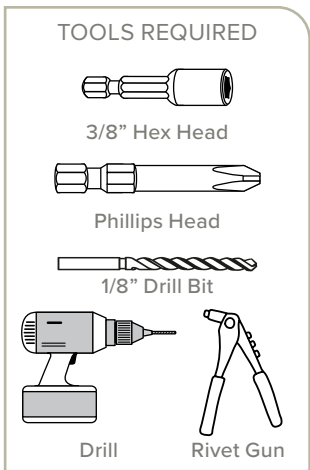
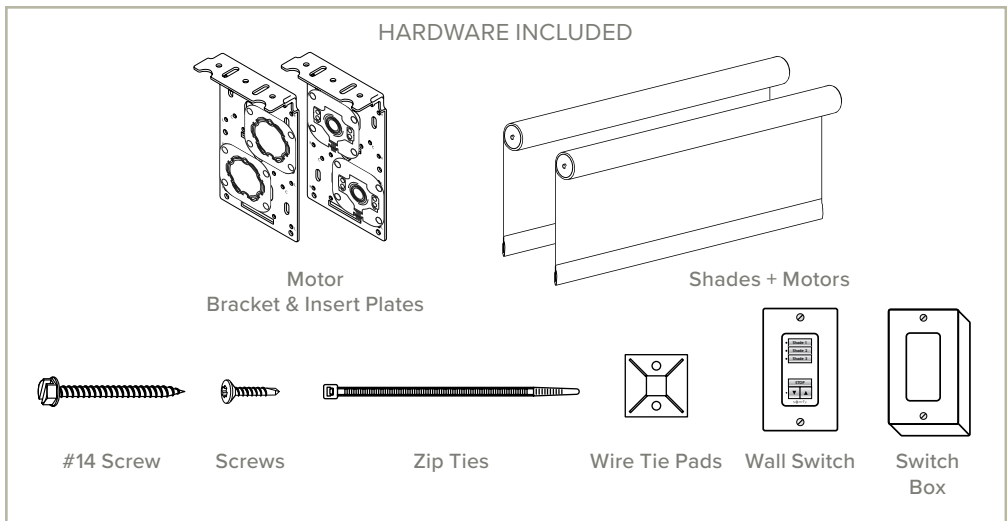


CONTRACT PLUS+ 7.5" OPEN DUAL BRACKET INSTALLATION INSTRUCTIONS

Rollashade.com
info@rollashade.com
951.245.5077

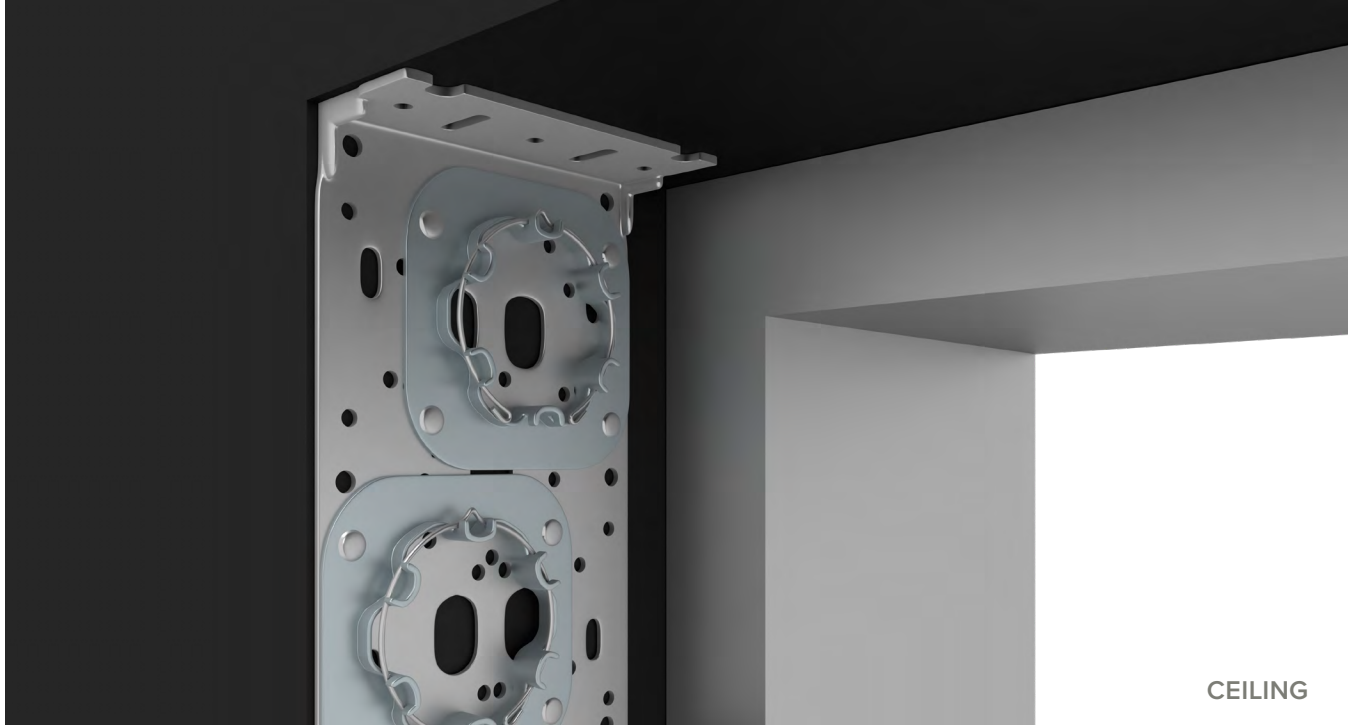
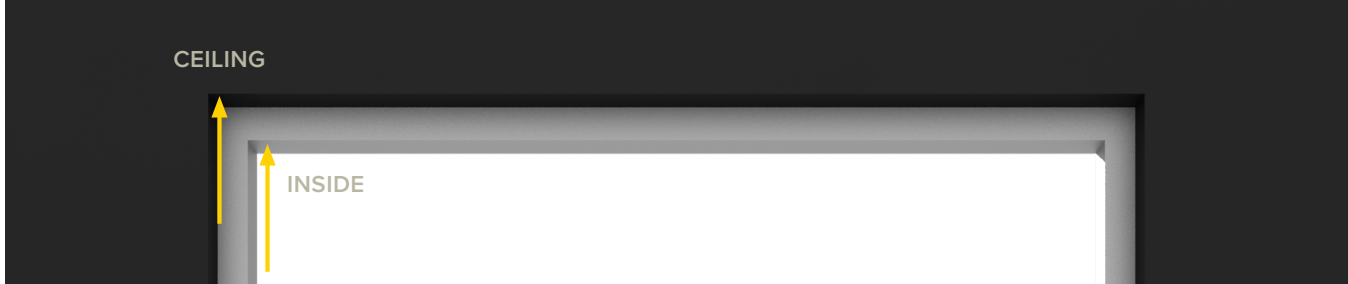
© Copyright Roll A Shade® Inc. All Rights Reserved.

© ROLL A SHADE



1 MOUNT APPLICATION

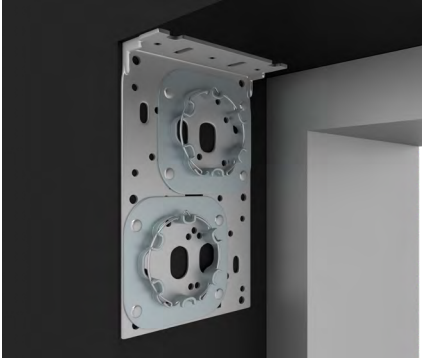
****NOTE: THIS BRACKET CAN ONLY BE MOUNTED IN A CEILING POCKET OR AN INSIDE MOUNT****



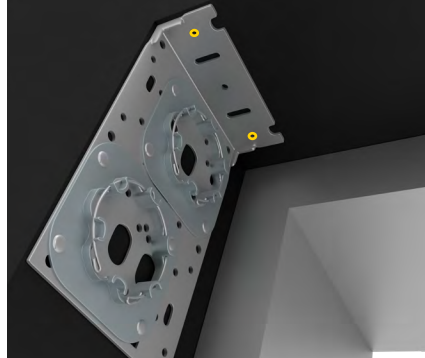
2 MOUNTING LOCATION

Place your first bracket in its mounting location and mark the screw holes. Place your second bracket in its mounting location and repeat the process.

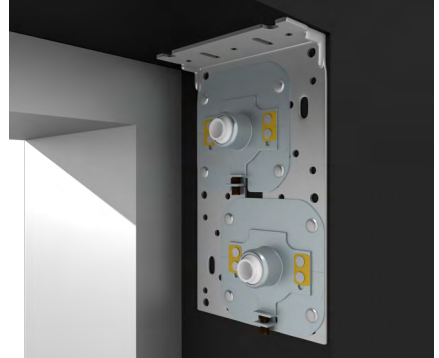
A



B

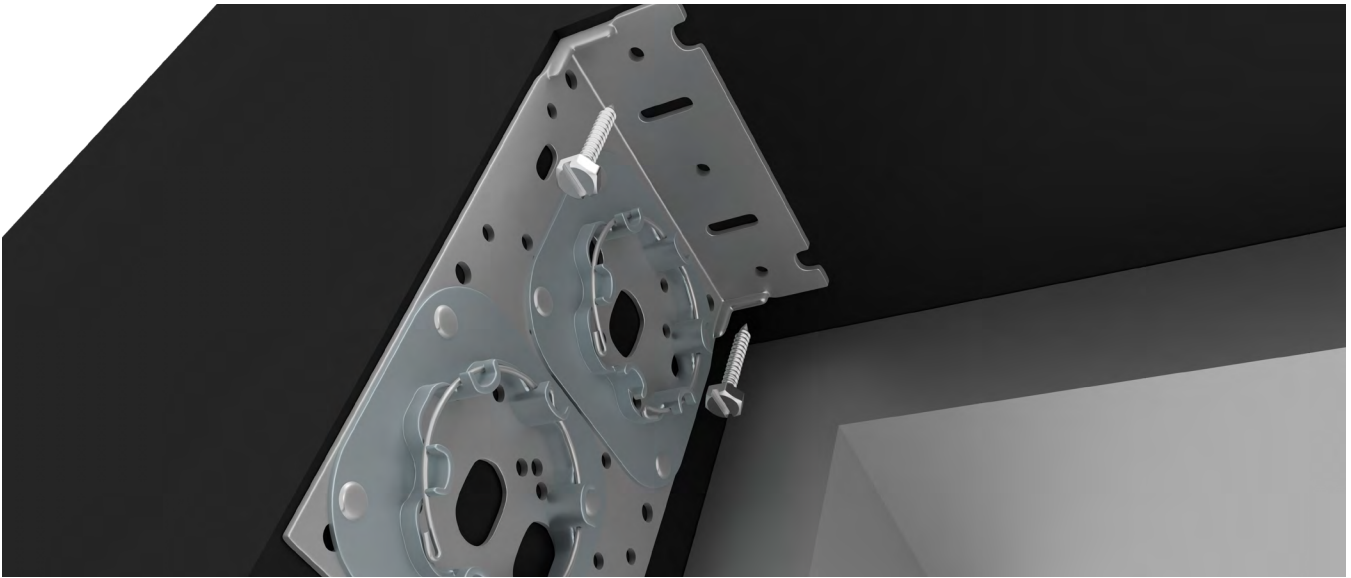


C



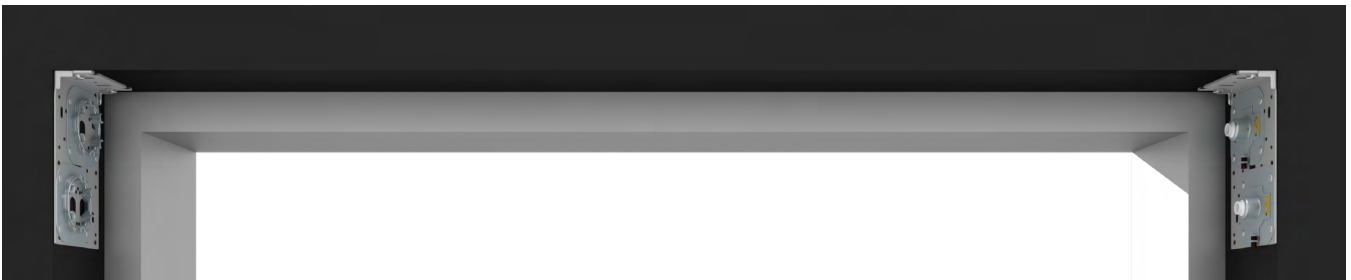
3 SCREW INSTALLATION

Next, pre-drill your screw holes using a 1/8" drill bit. Install the brackets with the provided screws using the 1/4" hex head driver.



4 ALIGNMENT

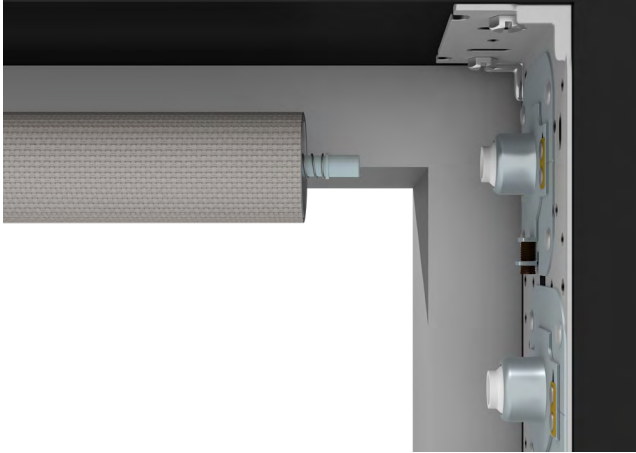
Check to make sure your brackets are level and aligned.



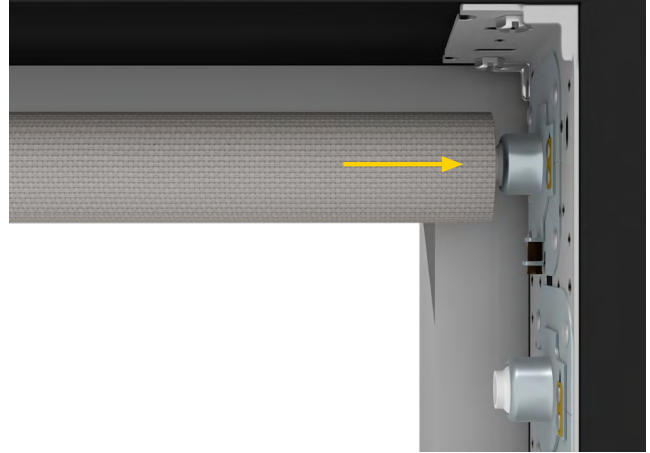
5 TOP SHADE PIN END INSTALLATION

Swivel ball bearing to align with idler shaft for easy installation. Press idler shaft all the way to the bracket.

A



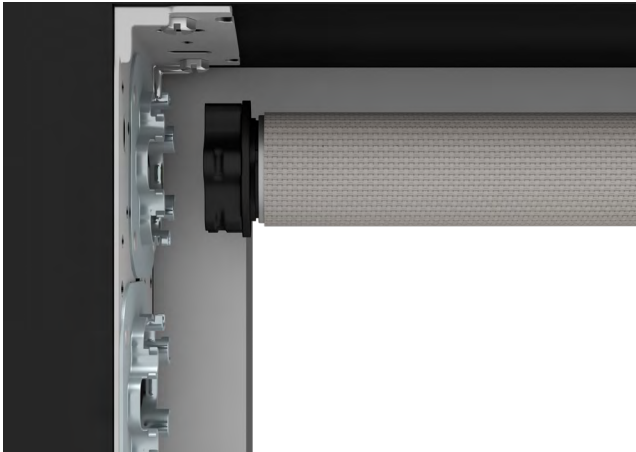
B



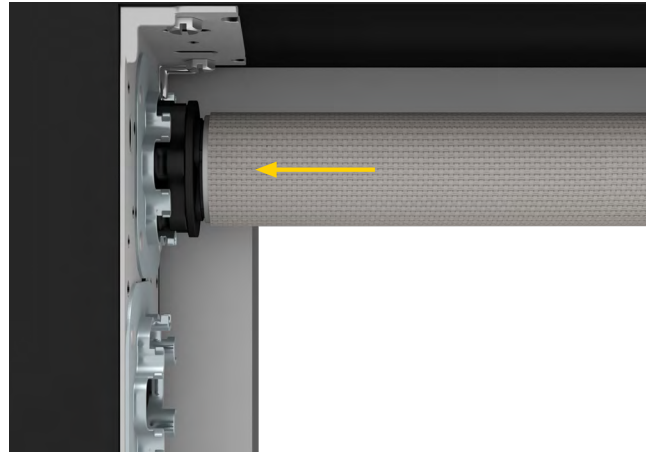
6 TOP MOTOR END INSTALLATION

Remove locking ring. Lineup to motor bracket. Push motor into motor bracket.

A



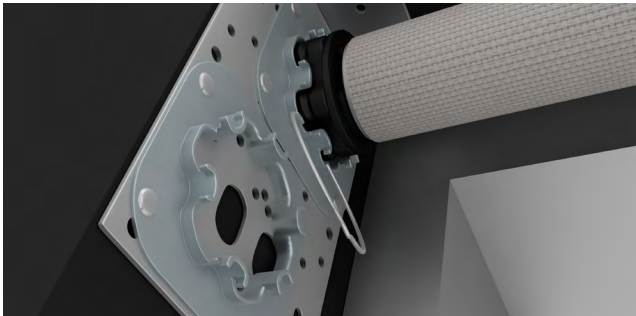
B



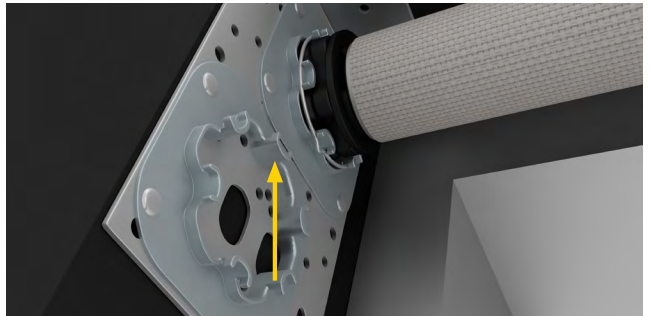
7 TOP LOCK RING INSTALLATION

Add locking ring to motor bracket. Check motor is secured correctly.

A

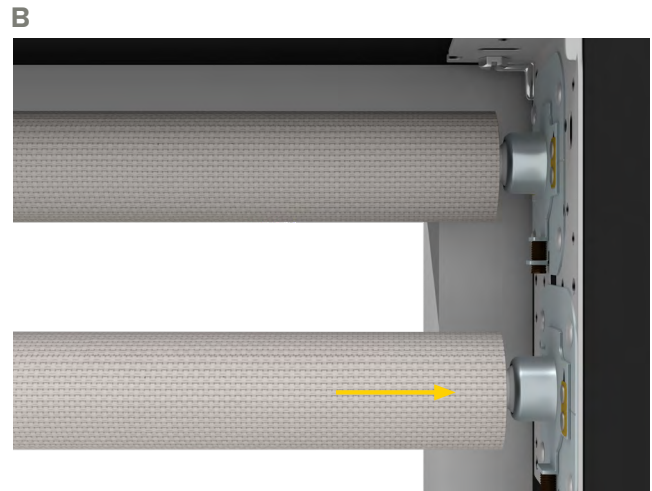
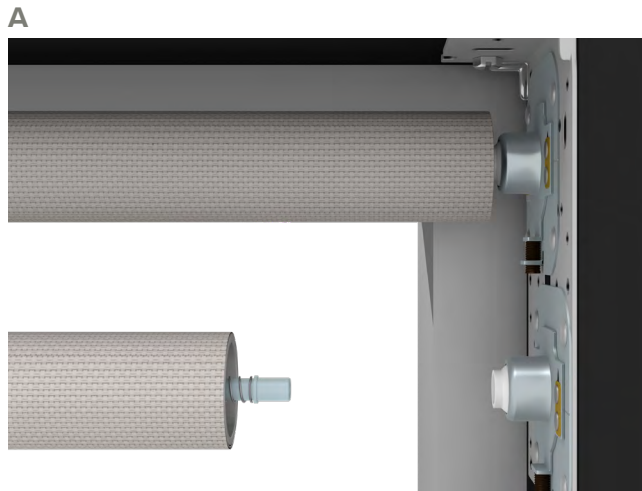


B



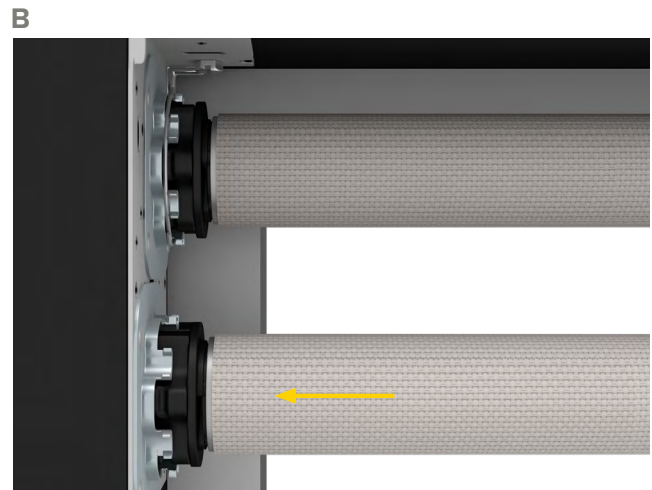
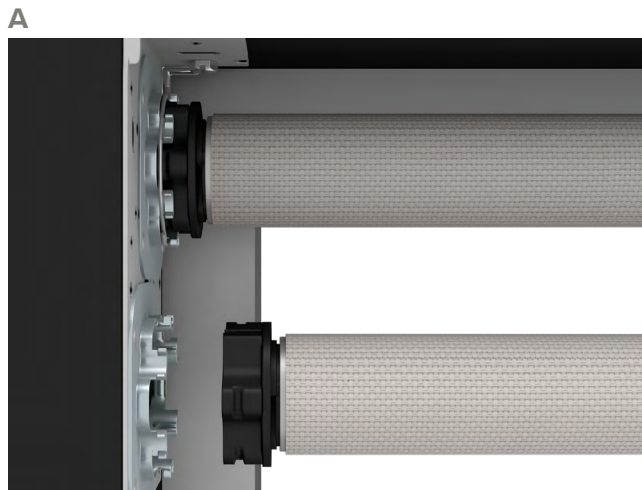
8 BOTTOM SHADE PIN END INSTALLATION

Swivel ball bearing to align with idler shaft for easy installation. Press idler shaft all the way to the bracket.



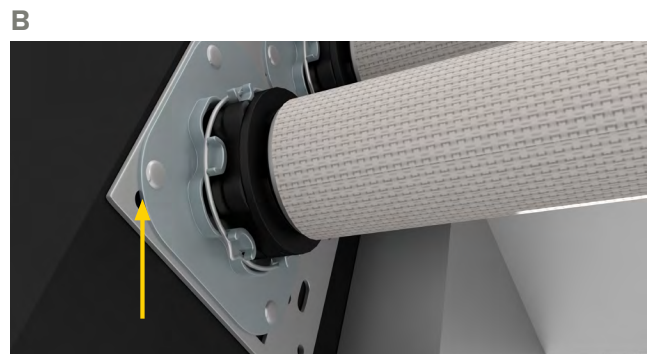
9 BOTTOM MOTOR END INSTALLATION

Remove locking ring. Lineup to motor bracket. Push motor into motor bracket.



10 BOTTOM LOCK RING

Add locking ring to motor bracket. Check motor is secured correctly.

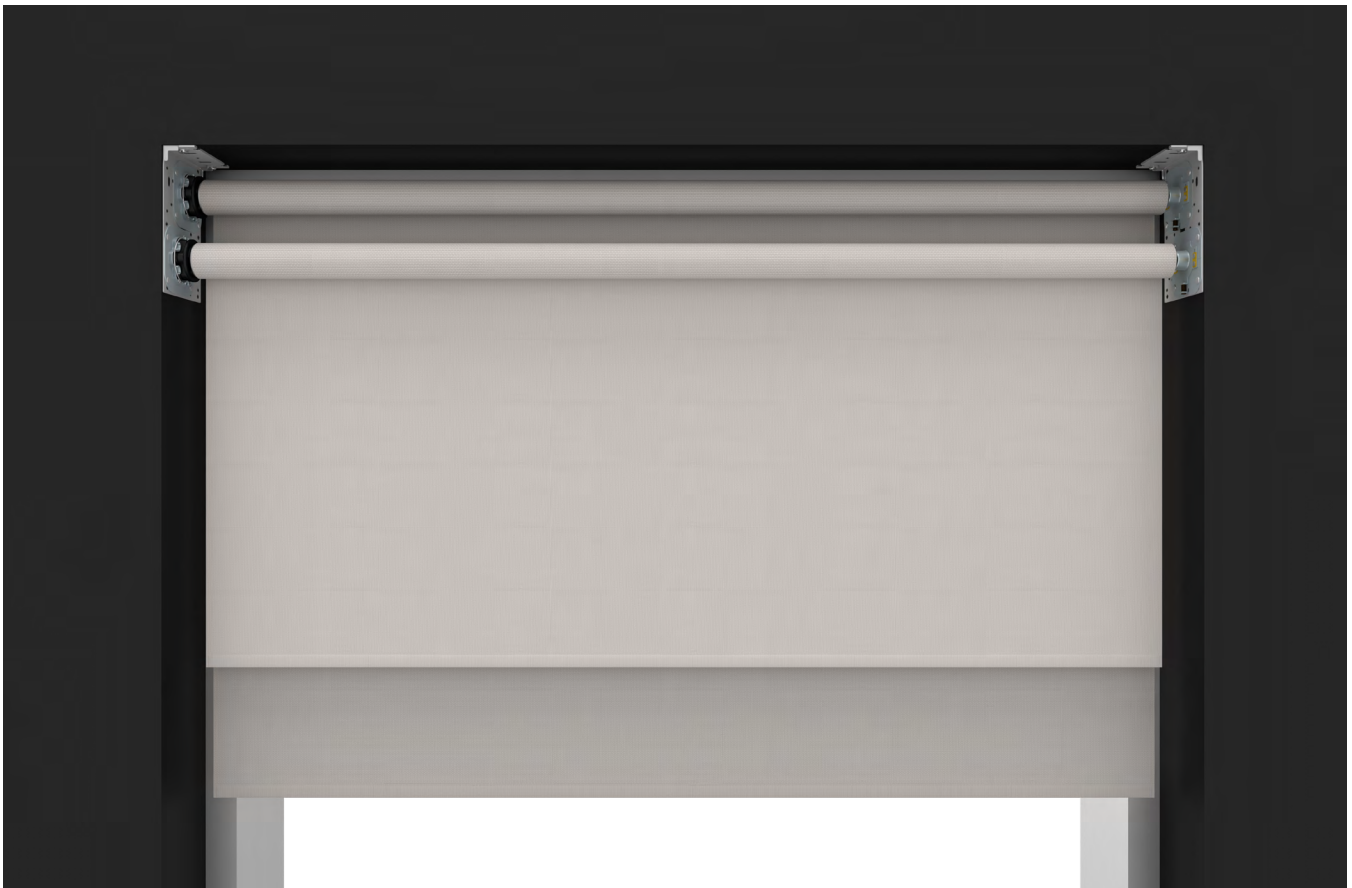


11 PLUG IN MOTOR

- Run motor power cord to nearest power outlet.
- Install wire tie pads and secure with zip ties to hold wire down.
- The path of the wire should be parallel with mullions and/or drop ceiling tiles ensuring the cable is neatly organized.
- Any modifications to the power cable should be done by a certified electrician to meet your city/state code requirements.

12 SHADE ADJUSTING (IF NECESSARY)

- Roll shade up and down to confirm hembar is level and material rolls up straight on center tube.
- If the hembar is not level, lower shade until you see the metal tube.
- Add layers of masking tape to the metal tube to the end that is too low until hembar is straight.
- If the material tracks to one side, lower shade until you see the metal tube.
- Add layers of masking tape to the metal tube to the end that is opposite the direction of tracking, until shade rolls up straight.



13 ADJUSTING LIMITS (IF NECESSARY)

See programming instructions based on the motor used for your application.